



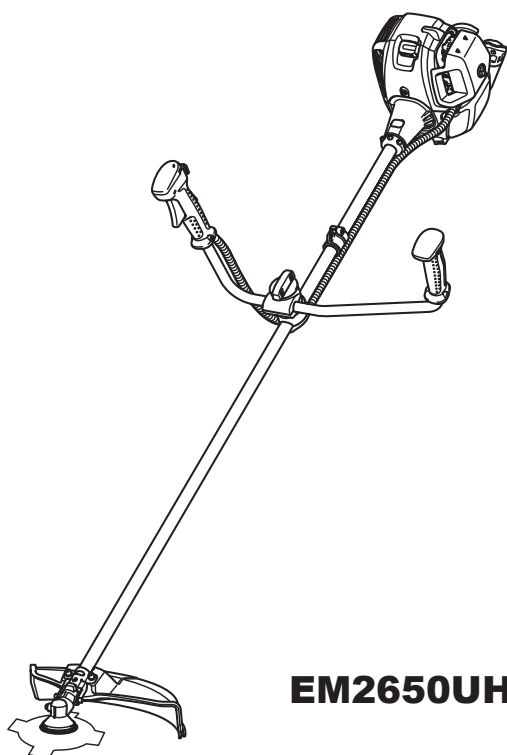
EM2650UH/EM2650LH/EM2652LHN

GB Brushcutter & String Trimmer

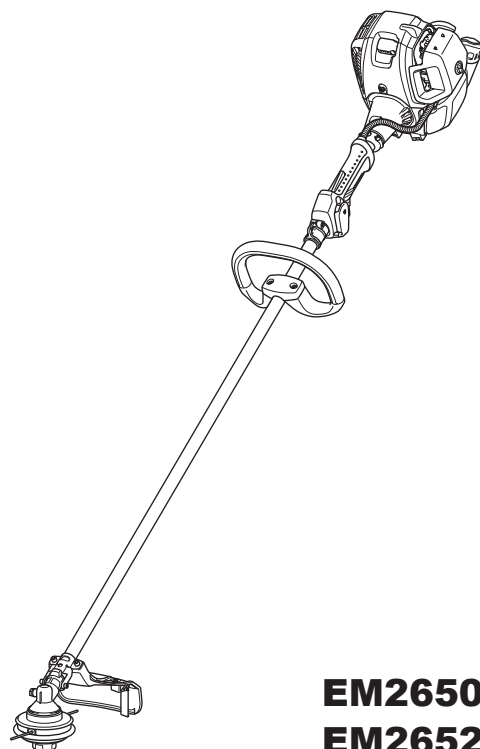
F Débroussailleuse Thermique

E Desbrozadora

**INSTRUCTION MANUAL
MANUEL D'INSTRUCTIONS
MANUAL DE INSTRUCCIONES**



EM2650UH



**EM2650LH
EM2652LHN**

Important:

Read this instruction manual carefully before putting the Brushcutter & String Trimmer into operation and strictly observe the safety regulations!
Preserve instruction manual carefully!

Important :

Lisez attentivement les instructions du présent manuel avant de vous servir de la débroussailleuse thermique pour la première fois, et respectez à la lettre les consignes de sécurité!
Conservez précieusement ce manuel d'instructions!

Importante:

Lea esta manual de instrucciones con atención antes de utilizar la desbrozadora y ¡observe estrictamente las regulaciones de seguridad!
¡Conserve cuidadosamente su manual de instrucciones!




















Thank you very much for purchasing the MAKITA Outdoor Power Equipment. We are pleased to recommend to you the MAKITA product which is the result of a long development program and many years of knowledge and experience. Please read this booklet which refers in detail to the various points that will demonstrate its outstanding performance. This will assist you to obtain the best possible result from your MAKITA product.



Table of Contents	Page
Symbols.....	2
Safety instructions.....	3
Technical data.....	7
Designation of parts.....	8
Mounting of handle.....	9
Approved combination of cutting tool, protector, handle and harness.....	9
Mounting of protector.....	10
Mounting of cutter blade or nylon cutting head.....	11
Before start of operation.....	12
Correct handling of machine.....	14
Points in operation and how to stop.....	14
Resharpener the cutting tool.....	16
Servicing instructions.....	18
Storage.....	21

SYMBOLS

You will note the following symbols when reading the instructions manual.

	Read instruction manual and follow the warnings and safety precautions!		Keep the area of operation clear of all persons and pets!
	Take Particular care and attention!		Wear protective helmet, eye and ear protection!
	Forbidden!		Top permissible tool speed
	Keep distance!		Fuel (Gasoline)
	Flying object hazard!		Engine-manual start
	No smoking!		Emergency stop
	No open flame!		First Aid
	Protective gloves must be worn!		ON/START
	Wear sturdy boots with nonslip soles. Steeltipped safety boots are recommended!		OFF/STOP
	Kickback!		

SAFETY INSTRUCTIONS

General Instructions

- Read this instruction manual to become familiar with handling of the equipment. Users insufficiently informed will risk danger to themselves as well as others due to improper handling.
- It is recommended only to lend the equipment to people who have proven to be experienced. Always hand over the instruction manual.
- First users should ask the dealer for basic instructions to familiarize oneself with the handling of an engine powered cutter.
- Children and young persons aged under 18 years must not be allowed to operate this equipment. Persons over the age of 16 years may however use the device for the purpose of being trained while under supervision of a qualified trainer.
- Use with the utmost care and attention.
- Operate only if you are in good physical condition. Perform all work calmly and carefully. The user has to accept liability for others.
- Never use this equipment after consumption of alcohol or drugs, or if feeling tired or ill.
- National regulation can restrict the use of the machine.

Intended use of the machine

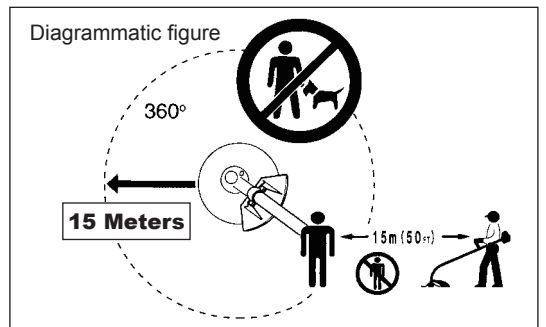
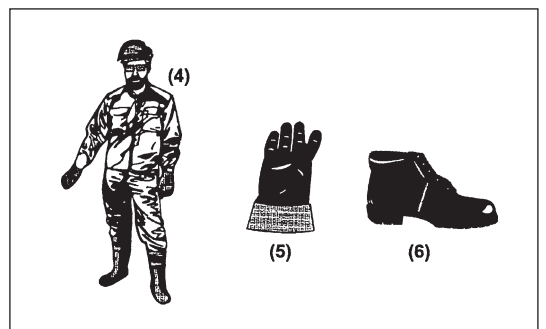
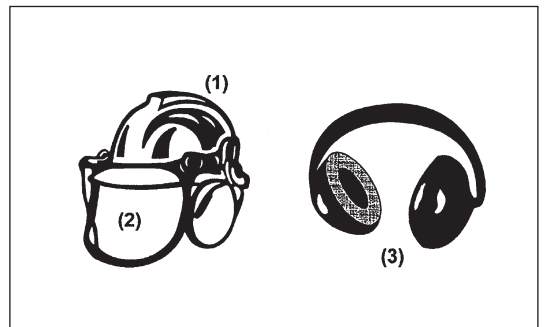
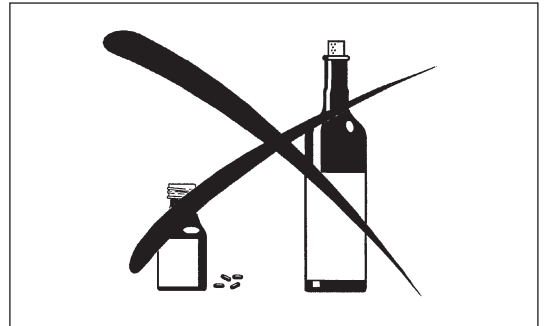
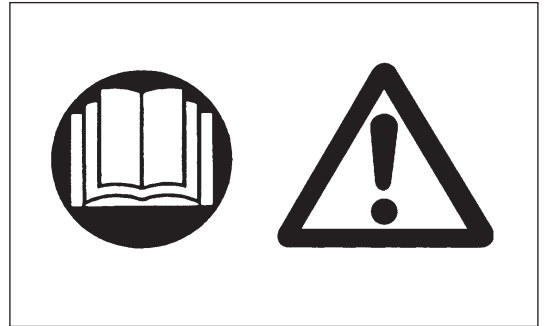
- This equipment is only intended for cutting grass, weeds, bushes, undergrowth. It should not be used for any other purpose such as edging or hedge cutting as this may cause injury.

Personal protective equipment

- The clothing worn should be functional and appropriate, i.e. it should be tight-fitting but not cause hindrance. Do not wear either jewelry or clothing which could become entangled with bushes or shrubs.
- In order to avoid either head-, eye-, hand- or foot injuries as well as to protect your hearing the following protective equipment and protective clothing must be used during operation.
- Always wear a helmet where there is a risk of falling objects. The protective helmet (1) is to be checked at regular intervals for damage and is to be replaced at the latest after 5 years. Use only approved protective helmets.
- The visor (2) of the helmet (or alternatively goggles) protects the face from flying debris and stones. During operation always wear goggles, or a visor to prevent eye injuries.
- Wear adequate noise protection equipment to avoid hearing impairment (ear muffs (3), ear plugs etc.).
- The work overalls (4) protect against flying stones and debris. We strongly recommend that the user wears work overalls.
- Gloves (5) are part of the prescribed equipment and must always be worn during operation.
- When using the equipment, always wear sturdy shoes (6) with a non-slip sole. This protects against injuries and ensures a good footing.

Starting up the Brushcutter & String Trimmer

- Please make sure that there are no children or other people within a working range of 15 meters (50 ft), also pay attention to any animals in the working vicinity.
- Before use always check the equipment is safe for operation: Check the security of the cutting tool, the throttle lever for easy action and check for proper functioning of the throttle lever lock.
- Rotation of the cutting tool during idling speed is not allowed. Check with your dealer for adjustment if in doubt. Check for clean and dry handles and test the function of the start/stop switch.

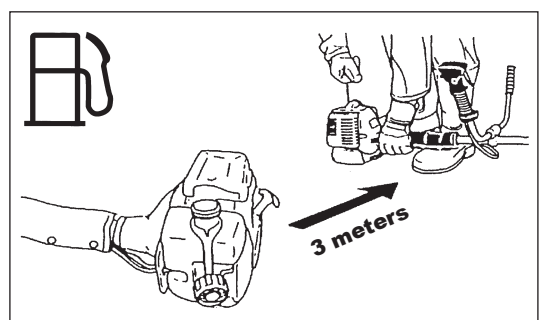
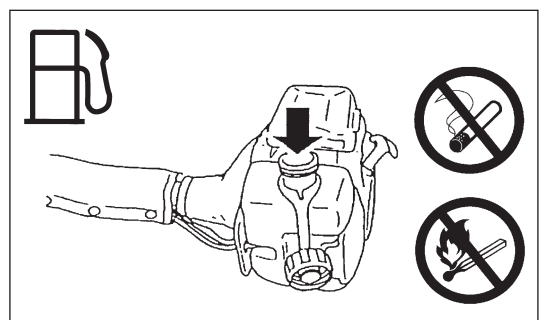
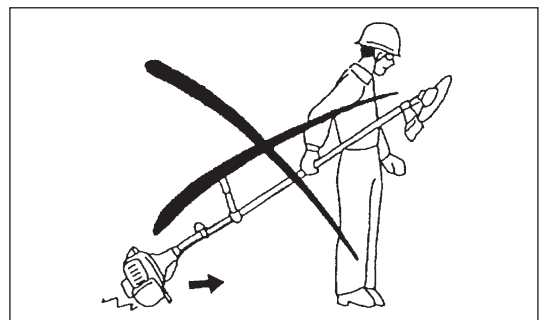
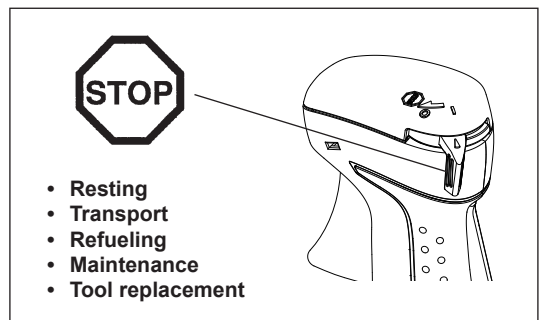
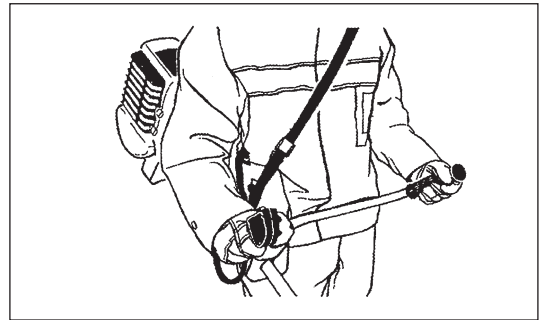
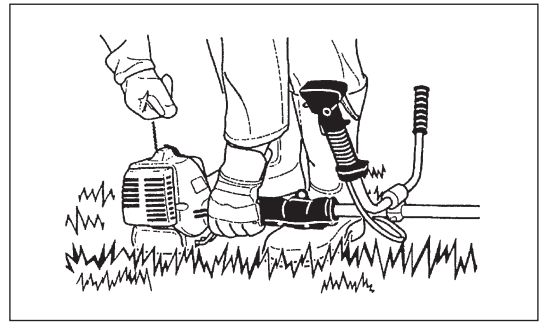


Start the Brushcutter or String Trimmer only in accordance with the instructions.

- Do not use any other methods for starting the engine!
- Use the Brushcutter/String Trimmer and the tools only for such applications as specified.
- Only start the engine, after the entire assembly is done. Operation of the device is only permitted after all the appropriate accessories are attached!
- Before starting make sure that the cutting tool has no contact with hard objects such as branches, stones etc. as the cutting tool will revolve when starting.
- The engine is to be switched off immediately in case of any engine problems.
- Should the cutting tool hit stones or other hard objects, immediately switch off the engine and inspect the cutting tool.
- Inspect the cutting tool at short regular intervals for damage (detection of hairline cracks by means of tapping-noise test).
- Operate the equipment only with the shoulder strap attached which is to be suitably adjusted before putting the Brushcutter or String Trimmer into operation. It is essential to adjust the shoulder strap according to the user size to prevent fatigue occurring during use. Never hold the cutter with one hand during use.
- During operation always hold the Brushcutter or String Trimmer with both hands.
Always ensure a safe footing.
- Operate the equipment in such a manner as to avoid inhalation of the exhaust gases. Never run the engine in enclosed rooms (risk of gas poisoning). Carbon monoxide is an odorless gas.
- Switch off the engine when resting and when leaving the equipment unattended, and place it in a safe location to prevent danger to others or damage to the machine.
- Never put the hot Brushcutter or String Trimmer onto dry grass or onto any combustible materials.
- The cutting tool has to be equipped with its appropriate guard.
Never run the cutter without this guard!
- All protective installations and guards supplied with the machine must be used during operation.
- Never operate the engine with faulty exhaust muffler.
- Shut off the engine during transport.
- During transport over long distances the tool protection included with the equipment must always be used.
- Ensure safe position of the equipment during car transportation to avoid fuel leakage.
- When transporting, ensure that the fuel tank is completely empty.
- When unloading the equipment from the truck, never drop the Engine to the ground or this may severely damage the fuel tank.
- Except in case of emergency, never drop or cast the equipment to the ground or this may severely damage the equipment.
- Remember to lift the entire equipment from the ground when moving the equipment. Dragging the fuel tank is highly dangerous and will cause damage and leakage of fuel, possibly causing fire.

Refueling

- Shut off the engine during refueling, keep away from open flames and do not smoke.
- Avoid skin contact with mineral oil products. Do not inhale fuel vapor. Always wear protective gloves during refueling. Change and clean protective clothing at regular intervals.
- Take care not to spill either fuel or oil in order to prevent soil contamination (environmental protection). Clean the brushcutter or string trimmer immediately after fuel has been spilt.
- Avoid any fuel contact with your clothing. Change your clothing instantly if fuel has been spilt on it (to prevent clothing catching fire).
- Inspect the fuel cap at regular intervals making sure that it can be securely fastened and does not leak.
- Carefully tighten the fuel tank cap. Change location to start the engine (at least 3 meters away from the place of refueling).
- Never refuel in closed rooms. Fuel vapors accumulate at ground level (risk of explosions).
- Only transport and store fuel in approved containers. Make sure the fuel stored is not accessible to children.



Method of operation

- Only use in good light and visibility. During the winter season beware of slippery or wet areas, ice and snow (risk of slipping). Always ensure a safe footing.
- Never cut above waist height.
- Never stand on a ladder.
- Never climb up into trees to perform cutting operation.
- Never work on unstable surfaces.
- Remove sand, stones, nails etc. found within the working range. Foreign particles may damage the cutting tool and can cause dangerous kick-backs.
- Before commencing cutting, the cutting tool must have reached full working speed.
- When using metal blades, swing the tool evenly in half-circle from right to left, like using a scythe.

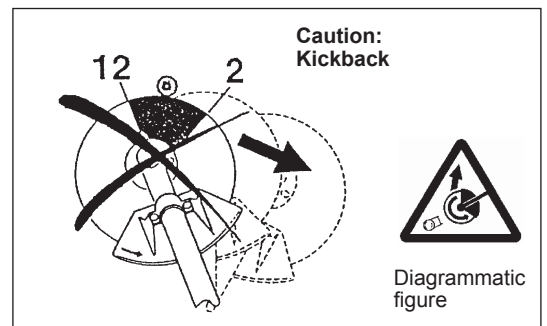


Cutting Tools

- Use an applicable cutting tool for the job in hand. Nylon cutting heads (nylon line) are suitable for trimming lawn grass. Metal blades are suitable for cutting weeds, high grasses, bushes, shrubs, underwood, thicket, and the like.
- When using metal blades, always use the approved protector, handle (with barrier bar) and harness for use of metal blades. Otherwise blade contact may cause serious injury. See the section “Approved combination of cutting tool, protector, handle and harness.”
- When using metal blades, avoid “kickback” and always prepare for an accidental kickback. See the section “Kickback” and “Kickback prevention.”

Kickback

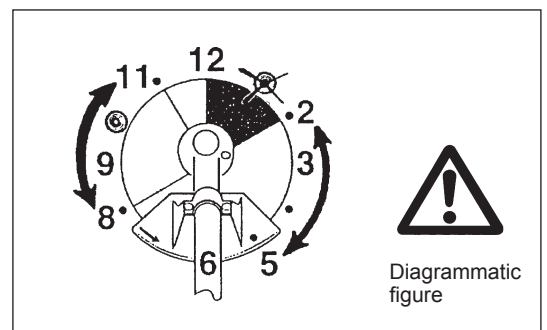
- When operating the Brushcutter, uncontrolled kickback may occur.
- This is particularly the case when attempting to cut within a blade segment between 12 and 2 o'clock.
- Never apply the Brushcutter within a segment between 12 and 2 o'clock.
- Never apply this segment of the Brushcutter blade to solids, such as bushes and trees, etc., having a diameter in excess of 3 cm or the Brushcutter will be deflected at great force with the risk of injuries.



Kickback prevention

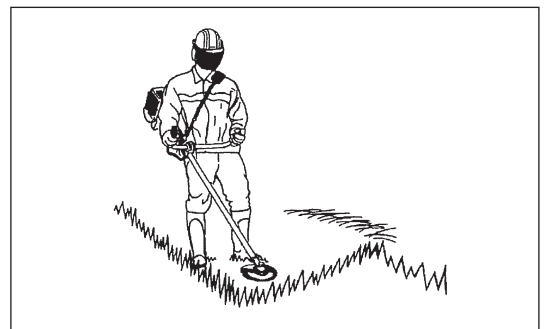
To avoid kickbacks, observe the following:

- Operating 12 and 2 o'clock presents a hazard, especially when using metal blades.
- Cutting 11 and 12 o'clock, and between 2 and 5 o'clock, must be performed by trained and experienced operators, and then only at their own risk. Easy cutting with almost no kickback is possible between 8 and 11 o'clock.



Maintenance instructions

- The condition of the cutter, in particular of the cutting tool of the protective devices and also of the shoulder strap must be checked before commencing work. Particular attention is to be paid to the cutting blades which must be correctly sharpened.
- Turn off the engine and remove spark plug connector when replacing or sharpening cutting tools, and also when cleaning the cutter or cutting tool.



Never straighten or weld damaged cutting tools.

- Pay attention to the environment. Avoid unnecessary throttle operation for less pollution and noise emissions. Adjust the carburetor correctly.
- Clean the equipment at regular intervals and check that all screws and nuts are well tightened.
- Never service or store the equipment in the vicinity of naked flames.
- Always store the equipment in locked rooms and with an emptied fuel tank.



Observe the relevant accident prevention instructions issued by the relevant trade associations and by the insurance companies. Do not perform any modifications to the equipment as this will endanger your safety.

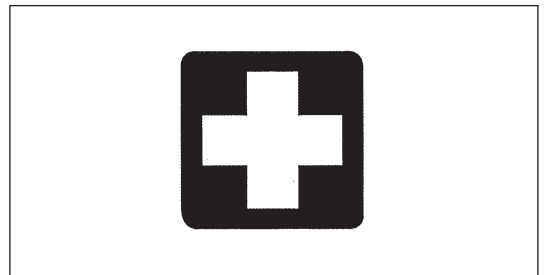
The performance of maintenance or repair work by the user is limited to those activities as described in the instruction manual. All other work is to be done by an Authorized Service Agent. Use only genuine spare parts and accessories released and supplied by MAKITA. Use of non-approved accessories and tools means increased risk of accidents. MAKITA will not accept any liability for accidents or damage caused by the use of non-approved cutting tools and fixing devices of cutting tools, or accessories.

First Aid

In case of accident make sure that a first-aid box is available in the vicinity of the cutting operations. Immediately replace any item taken from the first aid box.

When asking for help, please give the following information:

- Place of accident
- What happened
- Number of injured persons
- Kind of injuries
- Your name



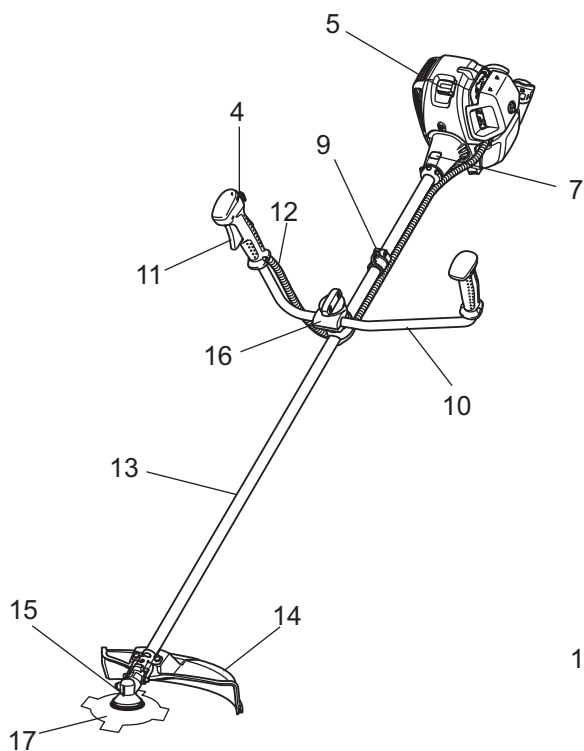
TECHNICAL DATA EM2650UH, EM2650LH, EM2652LHN

Model		EM2650UH	EM2650LH	EM2652LHN
		Bike handle	Loop handle	
Dimensions: length x width x height (without cutting blade)	inch (mm)	69 - 1/2" X 24 - 3/8" X 18 - 2/3" (1,765 x 620 x 474)	69 - 1/2" X 8 - 7/8" X 12 - 3/4" (1,765 x 226 x 323)	70" X 9 - 9/16" X 12 - 3/4" (1,776 x 243 x 323)
Mass (without plastic guard and cutting blade)	lbs (kg)	12.11 (5.5)	11.02 (5.0)	11.5 (5.2)
Volume (fuel tank)	fl.oz (L)	20.3 (0.6)		
Volume (oil tank)	fl.oz (L)	2.7 (0.08)		
Engine displacement	cu.in (cm ³)	1.5 (25.4)		
Maximum engine performance	hp (kw)	1.1 (0.77) at 7,000 rpm		
Engine speed at recommended max. spindle speed	RPM (1/min)	10,000		9,700
Maximum spindle speed (corresponding)	RPM (1/min)	7,400		4,700
Idling speed	RPM (1/min)	3,000		
Clutch engagement speed	RPM (1/min)	3,900		4,000
Carburetor		Diaphragm type		
Ignition system		Non-contact, magnet type		
Spark plug	type	NGK CMR4A		
Electrode gap	inch (mm)	0.028" - 0.032" (0.7 - 0.8)		
Fuel		Automobile gasoline (petrol)		
Engine Oil		API grade SF class or higher SAE 10W-30 oil (automobile 4-stroke engine oil)		
Cutting tools (cutter blade dia.)	inch (mm)	9 - 1/16" (230)	—	—
Gear ratio		14/19		14/29

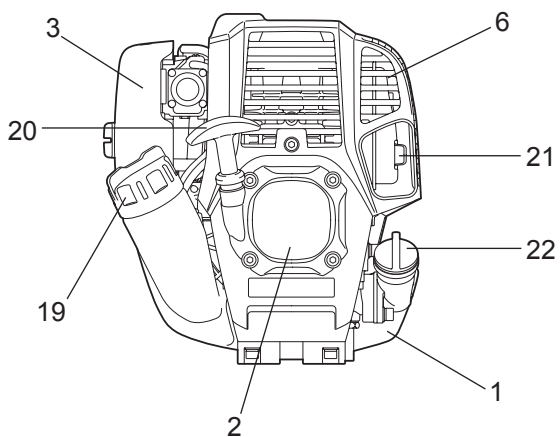
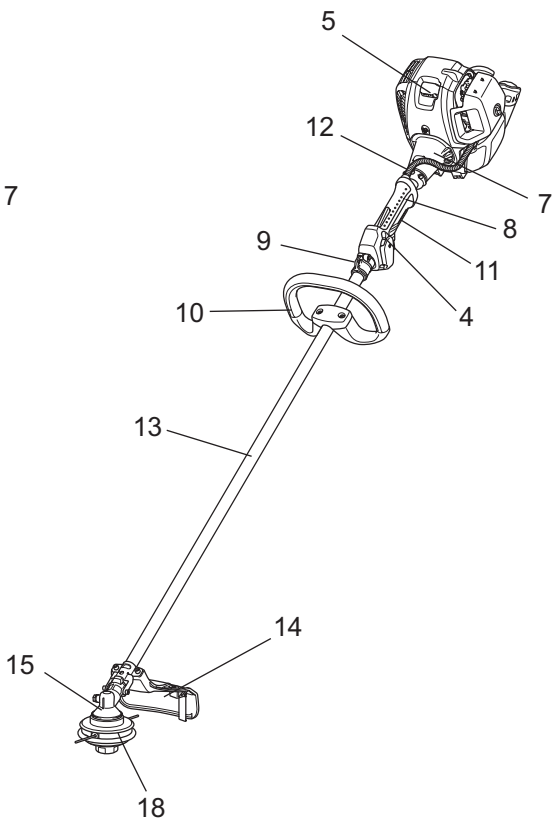
(For Canada) NOTE: This spark ignition system complies with the Canadian standard ICES-002.

DESIGNATION OF PARTS

EM2650UH



EM2650LH EM2652LHN



GB	DESIGNATION OF PARTS
1	Fuel tank
2	Rewind starter
3	Air cleaner
4	I-O switch (on/off)
5	Spark plug
6	Exhaust muffer
7	Clutch case
8	Rear grip
9	Hanger
10	Handle
11	Throttle lever
12	Control cable
13	Shaft
14	Protector
15	Gear Case/Head case
16	Handle holder
17	Cutter blade
18	Nylon cutting head
19	Fuel tank cap
20	Starter knob
21	Exhaust pipe
22	Oil cap

MOUNTING OF HANDLE



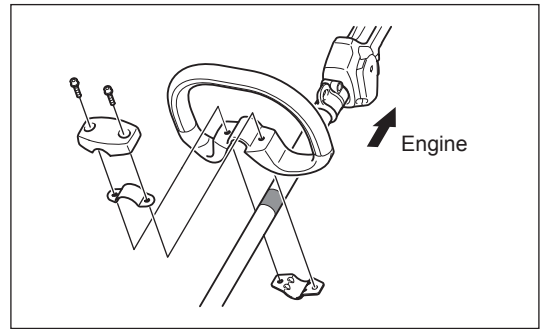
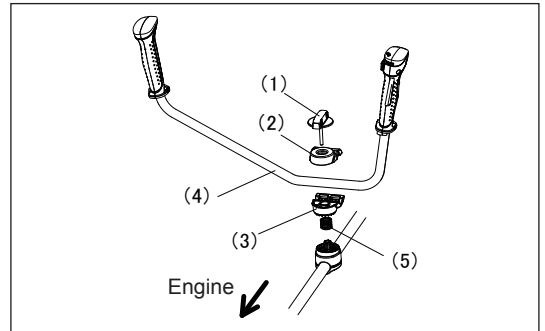
CAUTION: Before doing any work on the equipment, always stop the engine and pull the spark plug connector off the spark plug.
Always wear protective gloves!

CAUTION: Start the engine only after having assembled it completely.

For machines with bike handle models

- Loosen knob (1).
- Place handle (4) between handle clamp (2) and handle holder (3).
- Adjust handle (4) to an angle that provides a comfortable working position and then secure by firmly hand-tightening knob (1).

CAUTION: Do not forget to mount spring (5).



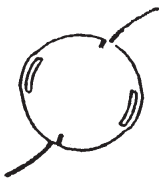
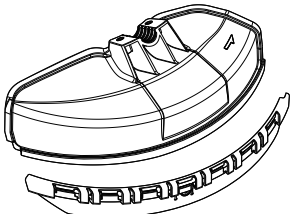


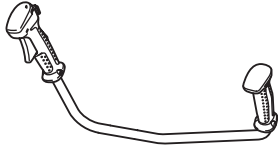

For machines with loop handle

- Fix the loop handle on the shaft as shown.
- To keep a proper distance between the grips, set the loop handle ahead of the arrows.

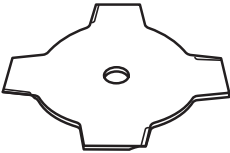
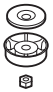
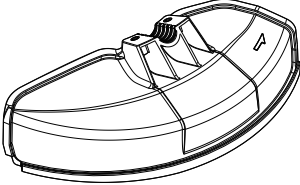

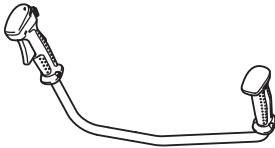


APPROVED COMBINATION OF CUTTING TOOL, PROTECTOR, HANDLE AND HARNESS

WARNING: Always use the tool with the approved combination of the safety equipments.
Otherwise contact with a cutting tool may cause serious injury.

Use of nylon cutting head (EM2650UH, EM2650LH, EM2652LHN)

Nylon cutting head	Protector	Handle	Harness
	 (With protector extension)	 (With or without barrier bar)	 (With or without shoulder strap)
			

Use of metal blade (EM2650UH, optional accessory for EM2650LH, EM2652LHN)

Metal blade	Protector	Handle	Harness
  (Clamp washer, cup, and nut are necessary)	 (Without protector extension)	 (With barrier bar) 	 

MOUNTING OF PROTECTOR

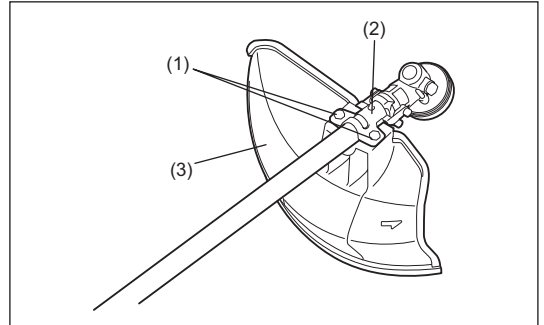
To meet the applicable safety provisions, only the tool/ protector combinations as indicated in the table must be used.



For EM2650UH

- In use of the metal blade, fix the protector (3) to the clamp (2) with two bolts M6 x 30 (1).

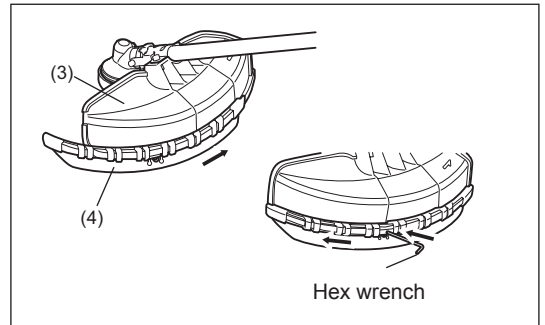
NOTE: Tighten the right and left bolts evenly so that the gap between the clamp (2) and the protector (3) will be constant. Otherwise, the protector sometimes may not function as specified.



- In cases where the nylon cord cutter is to be used, be sure to mount the protector extension (4) onto the metal blade protector (3).
- Mount the protector extension (4) by sliding it into place from the flank of the metal blade protector (3) as shown.
- Remove tape adhered to cutter, which cuts nylon cord, on protector extension (4).

CAUTION: Be sure to push in protector extension (4) until it is fully inserted. Take care not to injure yourself on the cutter for cutting the nylon cord.

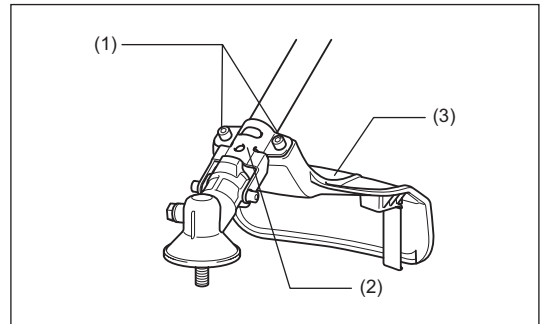
- To remove the protector extension (4), apply a hex wrench into the notch on the metal blade protector (3), push it in and meanwhile slide the protector extension (4).



For EM2650LH, EM2652LHN

- Fix the protector (3) to the clamp (2) with two bolts M6 x 30 (1).

NOTE: Tighten the right and left bolts evenly so that the gap between the clamp (2) and the protector (3) will be constant. Otherwise, the protector sometimes may not function as specified.



MOUNTING OF CUTTER BLADE OR NYLON CUTTING HEAD

Be sure to use genuine MAKITA cutter blades or nylon cutting head.

- The cutter blade must be well polished, free of cracks or breakage. If the cutter blade hits against a stone during operation, stop the engine and check the blade immediately.
- Polish or replace the cutter blade every three hours of operation.
- If the nylon cutting head hits against a stone during operation, stop the engine and check the nylon cutting head immediately.

CAUTION: The appropriate protector must always be installed, for your own safety and in order to comply with accident-prevention regulations. Operation of the equipment without the protector being in place is not permitted.
The outside diameter of the cutter blade must be 230 mm (9 - 1/16"). Never use any blades surpassing 230 mm (9 - 1/16") in outside diameter.

Turn the machine upside down, and you can replace the cutter blade or nylon cutting head easily.

- Insert the hex wrench through the hole in the gear case and rotate the receiver washer (4) until it is locked with the hex wrench.
- Loosen the nut (1) (left-hand thread) with the socket wrench and remove the nut (1), cup (2), and clamp washer (3).

Mounting of cutter blade with the hex wrench still in place

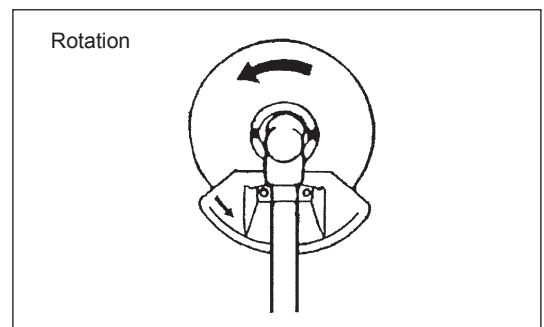
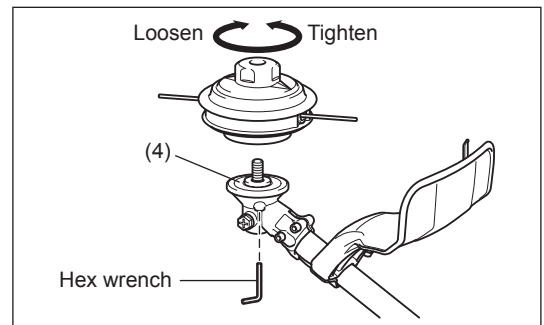
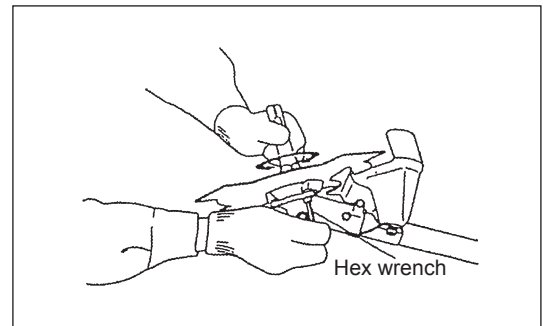
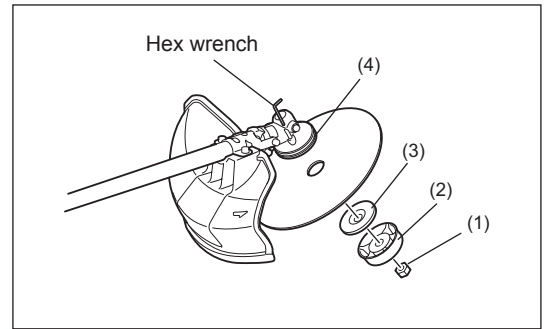
- Mount the cutter blade onto the shaft so that the guide of the receiver washer (4) fits in the arbor hole in the cutter blade. Install the clamp washer (3), cup (2), and secure the cutter blade with the nut (1).
[Tightening torque: 13 - 23 N-m]

NOTE: Always wear gloves when handling the cutter blade.

NOTE: The cutter blade-fastening nut (with spring washer) is a consumable part. If there appears any wear or deformation on the spring washer, replace the nut.

Mounting of nylon cutting head

- The clamp washer (3), cup (2), and nut (1) are not necessary for mounting the nylon cutting head. The nylon cutting head should go on top of the receiver washer (4).
- Insert the hex wrench through the hole in the gear case and rotate the receiver washer (4) until it is locked with the hex wrench.
- Then screw the nylon cutting head onto the shaft by turning it counter-clockwise.
- Remove the hex wrench.



BEFORE START OF OPERATION

Inspection and refill of engine oil

- Perform the following procedure, with the engine cooled down.
- Set the engine level, remove oil cap (Fig. 1), and check to see whether or not there is oil in the range between the upper limit and lower limit marks of the oil pipe (Fig. 2).
- Fill with oil to upper limit mark if oil is insufficient (oil level is close to lower limit mark) (Fig. 3).
- The area surrounding the external marks is transparent, so the amount of oil inside can be checked without having to remove the oil cap. However, if oil pipe becomes extremely dirty, visibility may be lost, and oil level will have to be checked against stepped section on inside of oil pipe.
- For reference, the oil refill time is about 10h (10 times or 10 tanks of gas before oil needs to be refilled). If the oil changes in color or mixes with dirt, replace it with new one. (For the interval and method of replacement, refer to P 18)

Recommended oil: SAE 10W-30 oil of API Classification, Class SF or higher (4-stroke engine for automobile)

Oil volume: Approx. 0.08L

NOTE: If the engine is not kept upright, oil may pool in other parts of the engine. The oil level gauge may give an incorrect reading for oil level. Do not fill with oil if engine is not upright. If the oil is filled above the limit, the oil may be contaminated or may catch fire with white smoke.

Point 1 in Replacement of oil: "Oil cap"

- Remove dust or dirt near the oil refill port, and detach the oil cap.
- Keep the detached oil cap free of sand or dust. Otherwise, any sand or dust adhering to the oil cap may cause irregular oil circulation or wear on the engine parts, which will result in troubles.

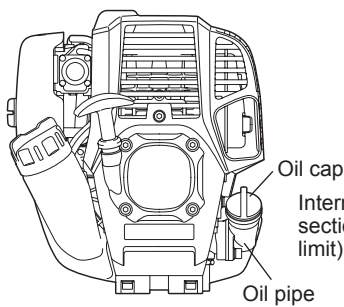


Fig. 1

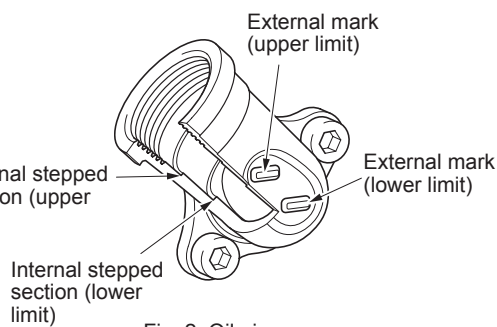


Fig. 2 Oil pipe

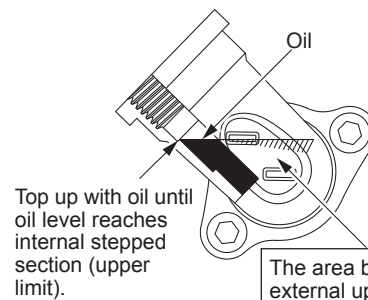
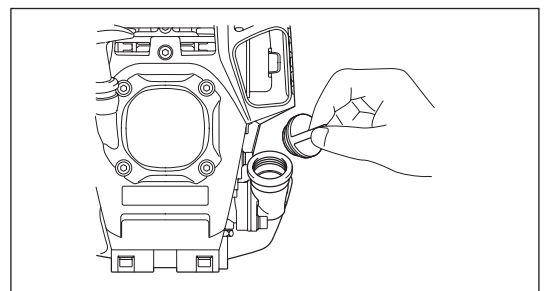
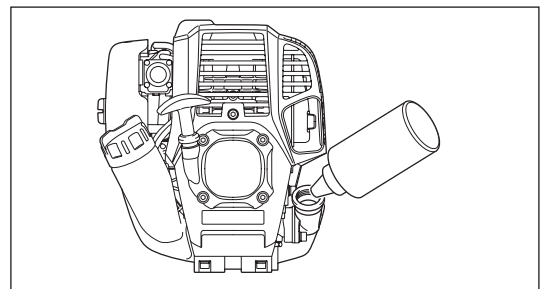


Fig. 3

(1) Keep the engine level, and detach the oil cap.



(2) Fill with oil to upper limit mark. (see Fig. 3)
Use oil bottle when filling.



(3) Securely tighten the oil cap. Insufficient tightening may cause oil leakage.

Note

- Do not replace oil with the engine in a tilted position.
- Filling with oil while engine is tilted leads to overfilling which causes oil contamination and/or white smoke.

Point 2 in Replacement of oil: "If oil spills out"

- If oil spills out between the fuel tank and engine main unit, the oil is sucked into through the cooling air intake port, which will contaminate the engine. Be sure to wipe out spilt oil before start of operation.

REFUELING

Handling of fuel

It is necessary to handle fuel with utmost care. Fuel may contain substances similar to solvents. Refueling must be performed in a sufficiently ventilated room or in the open air. Never inhale fuel vapor, and keep fuel away from you. If you touch fuel repeatedly or for a long time, the skin becomes dry, which may cause skin disease or allergy. If fuel enters into the eye, clean the eye with fresh water. If your eye remains still irritated, consult your doctor.

Storage period of fuel

Fuel should be used within a period of 4 weeks, even if it is kept in a special container in a well-ventilated and shaded area. Otherwise, fuel may deteriorate in one day.

STORAGE OF MACHINE AND REFILL TANK

- Keep the machine and tank at a cool place free from direct sunshine.
- Never keep the fuel in a car.

Fuel

The engine is a four-stroke engine. Be sure to use an unleaded automobile gasoline 87 or higher octane ((R+M)/2). It may contain no more than 10% alcohol (E-10).

Points for fuel

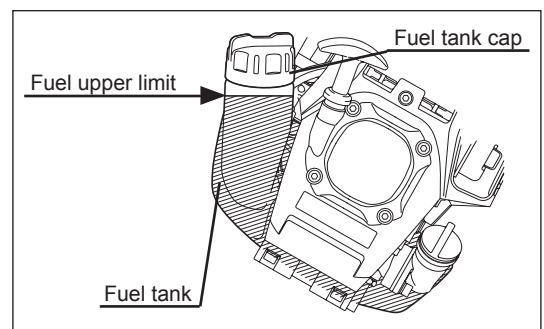
- Never use a gasoline mixture which contains engine oil. Otherwise, it will cause excessive carbon accumulation or mechanical troubles.
- Use of deteriorated oil will cause irregular start-up.

Refueling

WARNING: Shut off the engine before refueling, keep away from open flames and do not smoke.

Gasoline used: Unleaded automobile gasoline, 87 or higher octane. No more than 10% alcohol (E-10).

- Loosen the tank cap a little to release the tank pressure.
 - Detach the tank cap, and refuel, discharging air by tilting the fuel tank so that the refuel port will be oriented upward. DO NOT fill fuel up to the top of the tank.
 - Wipe the outside of the tank cap to prevent debris from entering into the fuel tank.
 - After refueling, securely tighten the tank cap.
- If there is any flaw or damage on the tank cap, replace it.
 - The tank cap wears out in course of time. Replace it every two to three years.
 - DO NOT put fuel in the oil fill port.



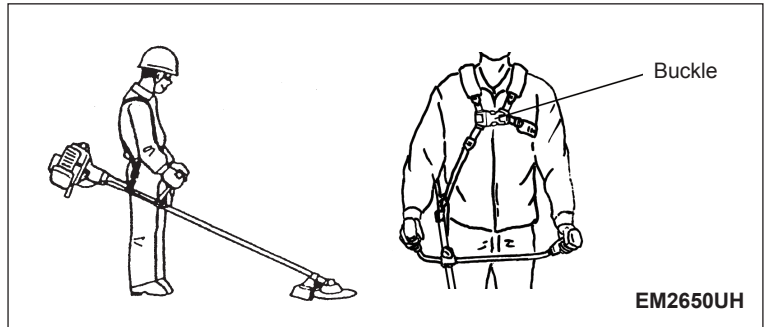
CORRECT HANDLING OF MACHINE

Attachment of shoulder strap

- Adjust the strap length so that the cutter blade will be kept parallel with the ground.

For EM2650UH

NOTE: Be careful not to trap clothing, etc., in the buckle.



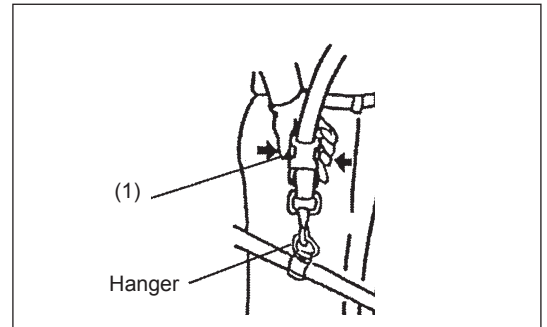
Detachment

For EM2650LH, EM2652LHN (Optional accessory)

- In an emergency, push the notches (1) at both sides, and you can detach the machine from you.

Be extremely careful to maintain control of the machine at this time. Do not allow the machine to be deflected toward you or anyone in the work vicinity.

WARNING: Failure to maintain complete control of the machine at all could result in serious bodily injury or DEATH.

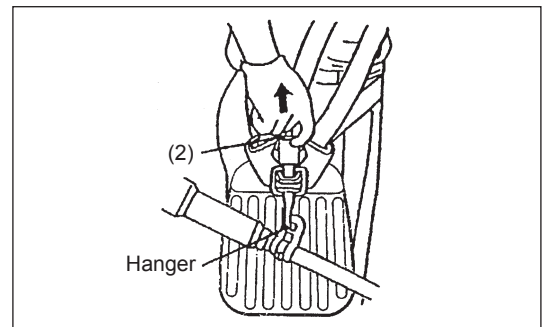


For EM2650UH

- In case of emergency, remove the emergency detachment lever (2) by pulling strongly with a finger. The machine will detach from body.

Be extremely careful to maintain control of the machine at this time. Do not allow the machine to be deflected toward you or anyone in the work vicinity.

WARNING: Failure to maintain complete control of the machine at all could result in serious bodily injury or DEATH.



POINTS IN OPERATION AND HOW TO STOP

Observe the applicable accident prevention regulations!

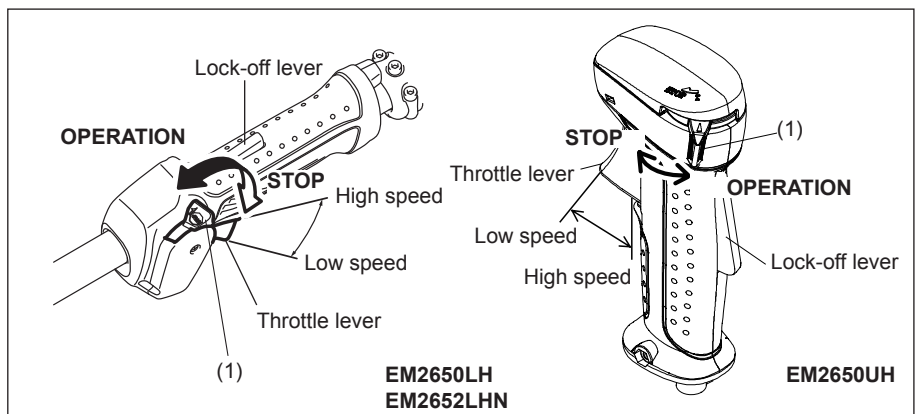


STARTING

Move at least 3 m away from the place of refueling. Place the unit on the ground taking care that the cutting tool does not come into contact with the ground or any other objects.

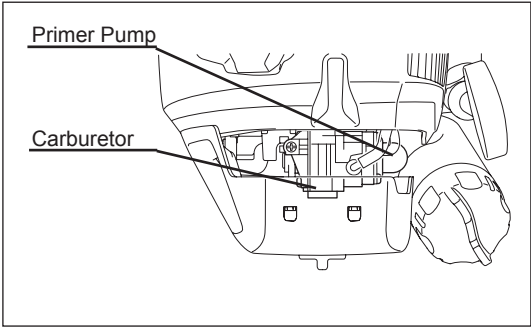
A: Cold start

- 1) Set this machine on a flat space.
- 2) Set the I-O switch (1) to OPERATION.



3) Primer pump

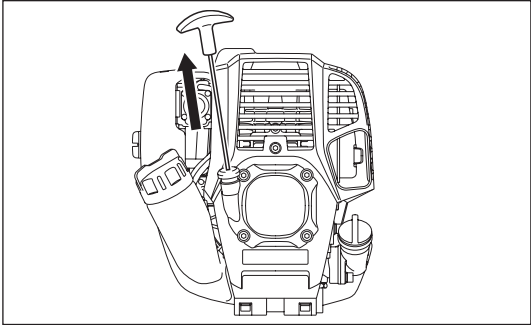
Continue to push the primer pump until fuel enters into the primer pump. (In general, fuel enters into the primer pump by 7 to 10 pushes.)
If the primer pump is pushed excessively, an excess of gasoline returns to the fuel tank.



4) Recoil starter

Pull the start knob gently until it is hard to pull (compression point). Then, return the start knob, and pull it strongly.

Never pull the rope to the full. Once the start knob is pulled, never release your hand immediately. Hold the start knob until it returns to its original point.



5) Warm-up operation

Continue warm-up operation for 2 to 3 minutes.

NOTE:

- In case of excessive fuel intake (flooding), remove the spark plug and pull the starter handle slowly to remove excess fuel. Also, dry the electrode section of the spark plug.
- When operating the tool with a metal blade, don't open the throttle fully. Operating the tool with the appropriate engine speed for use of metal blades (around 6,000 to 8,500 rpm) will save the fuel. On the other hand, nylon cutting heads requires full throttle for clean cut.

B: Startup after warm-up operation

- 1) Push the primer pump repeatedly.
- 2) Keep the throttle lever at the idling position.
- 3) Pull the recoil starter strongly.
- 4) If it is difficult to start the engine, open the throttle by about 1/3. Pay attention to the cutter blade which may rotate.

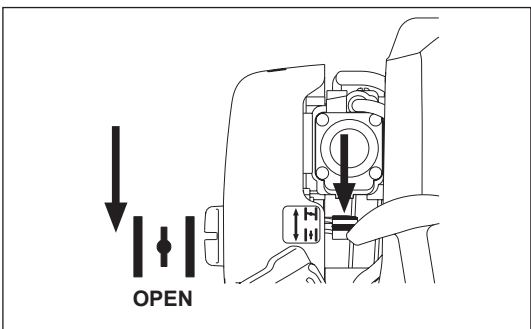
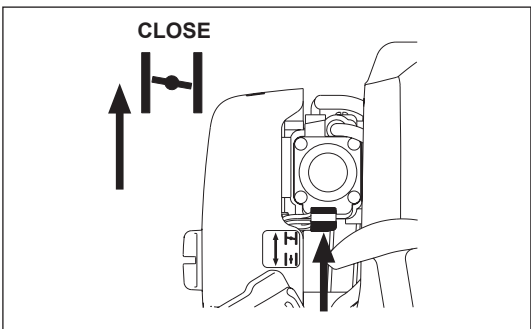
At times, such as winter, when starting the engine is difficult

Operate choke lever with the following procedure when starting engine.

- After implementing startup steps 1) to 3), set choke lever to the CLOSE position.
- Implement startup step 4) and start engine.
- Once engine starts, set choke lever to the OPEN position.
- Implement startup step 5) and complete warm up.

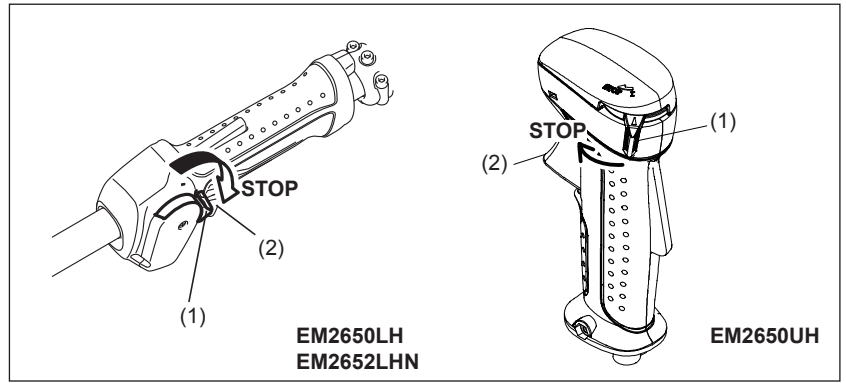
CAUTION: If a bang (explosive sound) is heard and the engine stops, or the just-started engine stalls before the choke lever is operated, return the choke lever to the OPEN position, and pull the starter knob a few times again to start the engine.

CAUTION: If the choke lever is left in the CLOSE position, and the starter knob merely pulled repeatedly, too much fuel will be sucked in, and the engine will become difficult to start.



STOPPING

- 1) Release the throttle lever (2) fully, and when the engine rpm has lowered, set the I-O switch (1) to STOP the engine will now stop.
- 2) Be aware that the cutting head may not stop immediately and allow it to slow down fully.

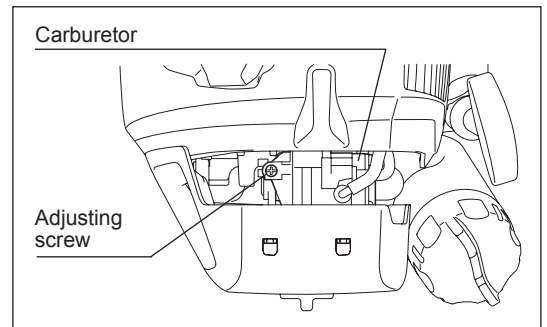


ADJUSTMENT OF LOW-SPEED ROTATION (IDLING)

When it is necessary to adjust the low-speed rotation (idling), perform it by the carburetor adjusting screw.

CHECKUP OF LOW-SPEED ROTATION

- Set the low-speed rotation to 3,000 min⁻¹.
If it is necessary to change the low speed rotation (idle) speed, use a phillips head screw driver on the screw illustrated on the right.
- Turn the adjusting screw to the right, and the engine rotation will increase. Turn the adjusting screw to the left, and the engine rotation will drop.
- The carburetor is generally adjusted before shipment. After several tanks of gasoline the idle rpm may need to be readjusted.

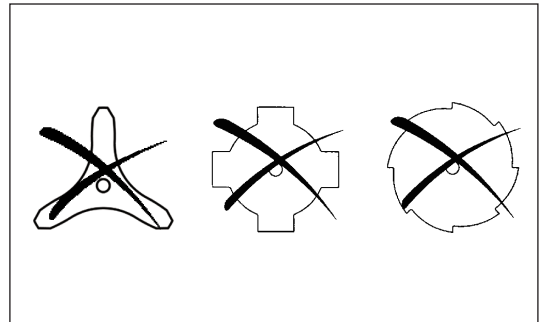


RESHARPENING THE CUTTING TOOL



CAUTION: The cutting tools shown in the illustration are not to be sharpened. Manual resharpening will result in imbalances of the cutting tool causing vibrations and damage to the equipment.

NOTE: To increase the service life of the cutter blade it may be turned over once, until both cutting edges have become blunt.



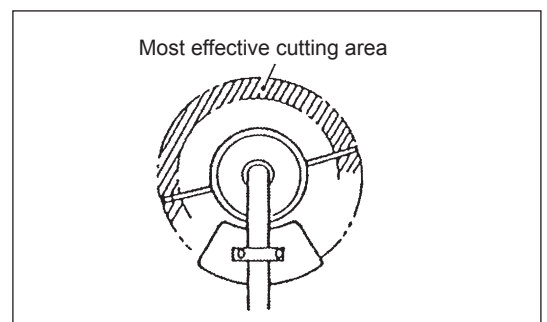
NYLON CUTTING HEAD

The grass trimmer cutting head is a dual line trimmer head that has bump & feed mechanism.

The nylon cutting head will feed out the proper length of nylon line after tapping the trimmer head on the ground by changes in centrifugal force caused by increasing or decreasing rpms.

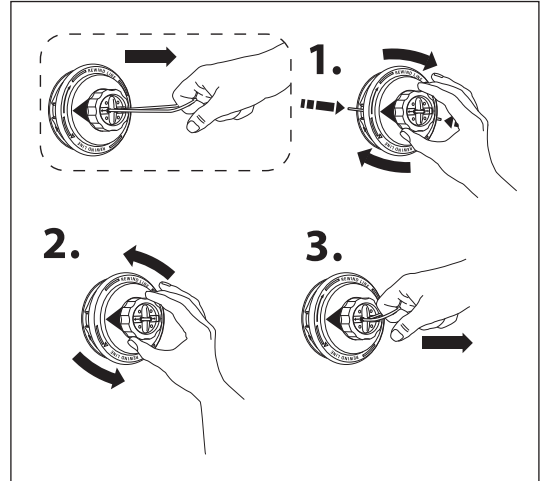
Operation

- (For model EM2650UH, EM2650LH) Increase the nylon cutting head speed till just before full throttle.
(For model EM2652LHN) Increase the nylon cutting head speed till full throttle.
Bump the trimmer head lightly on the ground.
- The most effective cutting area is shown by the shaded area.
- If the nylon cord does not feed out, rewind/replace the nylon cord by following the procedures described under "Replacing the nylon cord."



Replacing the nylon cord

- First, stop the engine.
- Hold the housing securely and turn the spool clockwise until the remaining nylon cord retracts into the housing, and turn back and forth to relieve the cord stress.
- Grasp the loop on top of the spool and pull it from the spool.

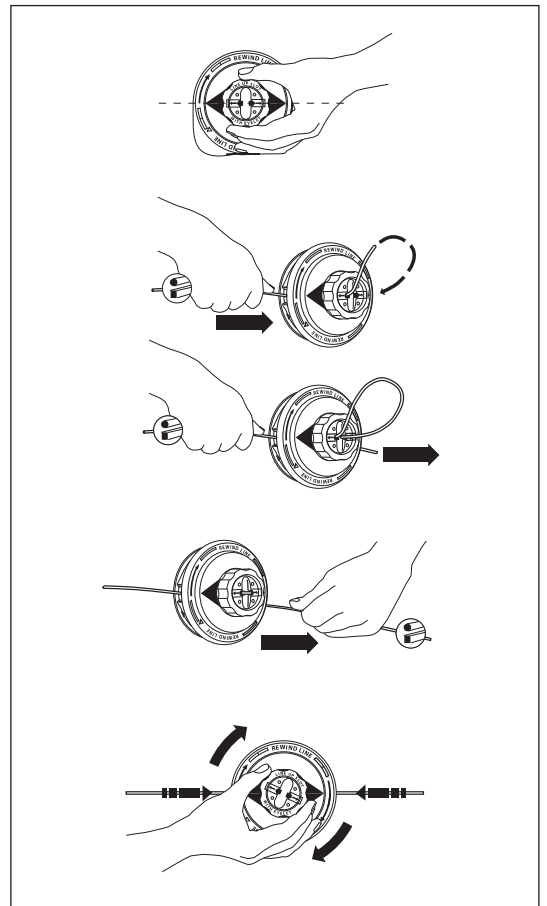


- Prepare a nylon cord with the following specifications.
4.5 m (15 ft) length
2.4 mm (0.095") diameter round cord or 2.0 mm (0.08") diagonal square cord.
- Align the arrow on the spool with the eyelets on the housing.

- Insert one end of the nylon cord into eyelet on the side of the housing, feed through hole on top of the spool and then re-insert into the second hole on top of the spool. Push the nylon cord into holes until the cord feeds through eyelets on side of the housing.

- Push the nylon cord into holes feeding through eyelets on side of the housing until equal length on both sides.

- Hold the housing securely and turn the spool clockwise to wind the nylon cord into the spool.



SERVICING INSTRUCTIONS

CAUTION: Before doing any work on the equipment, always stop the engine and pull the plug cap off the spark plug (see “checking the spark plug”).
Always wear protective gloves!

To ensure a long service life and to avoid any damage to the equipment, the following servicing operations should be performed at regular intervals.

Daily checkup and maintenance

- Before operation, check the machine for loose screws or missing parts. Pay particular attention to the tightness of the cutter blade or nylon cutting head.
- Before operation, always check for clogging of the cooling air passage and the cylinder fins. Clean them if necessary.
- Perform the following work daily after use:
 - Clean the equipment externally and inspect for damage.
 - Clean the air filter. When working under extremely dusty conditions, clean the filter the several times a day.
 - Check the blade or the nylon cutting head for damage and make sure it is firmly mounted.
 - Check that there is sufficient difference between idling and engagement speed to ensure that the cutting tool is at a standstill while the engine is idling (if necessary reduce idling speed).
If under idling conditions the tool should still continue to run, consult your nearest Authorized Service Agent.
- Check the functioning of the I-O switch, the lock-off lever, the throttle lever, and the lock button.

REPLACEMENT OF ENGINE OIL

Deteriorated engine oil will shorten the life of the engine. Be sure to check the oil and level regularly.



ATTENTION: In general, the engine main unit and engine oil still remain hot just after the engine is stopped. In replacement of oil, make sure that the engine main unit and engine oil are sufficiently cooled down. Otherwise, there may remain a risk of scald.

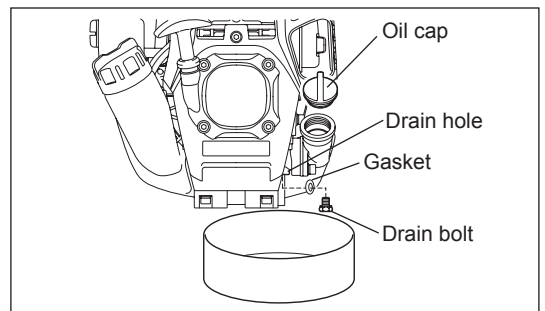
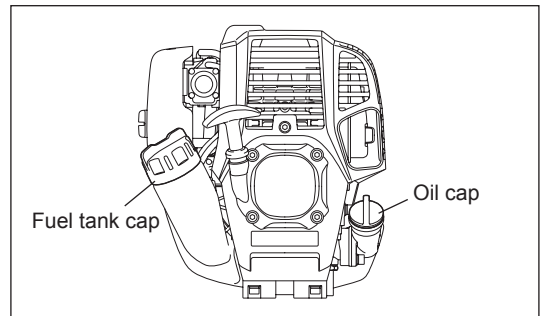
NOTE: If the oil filled above the limit, it may be contaminated or may catch fire with white smoke.

Interval of replacement: After first 20 operating hours, followed by every 50 operating hours.

Recommended oil: SAE10W-30 oil of API Classification SF Class or higher (4-stroke engine oil for automobile)

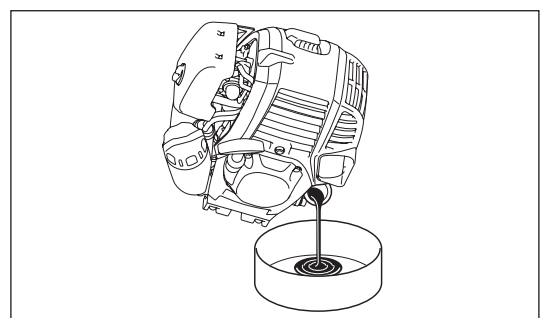
In replacement, perform the following procedure.

- 1) Make sure that the fuel tank cap is tightened securely.
- 2) Place large container (pan, etc.) under drain hole.
- 3) Remove drain bolt and then remove oil cap to drain out oil from drain hole. At this time, be sure not to lose drain bolt's gasket, or get dirty any of the removed components.
- 4) Once all the oil has been drained, install gasket and drain bolt, and tightly secure drain bolt, so that it will not loosen and cause leaks.
 - * Use cloth to fully wipe off any oil attached to bolt and equipment.

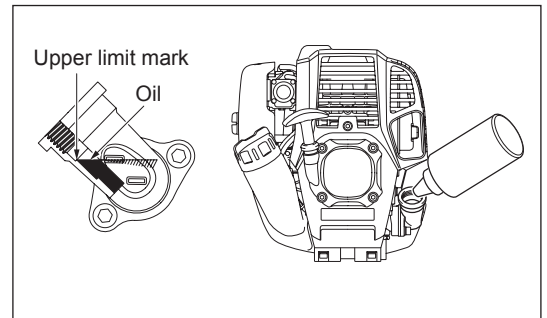
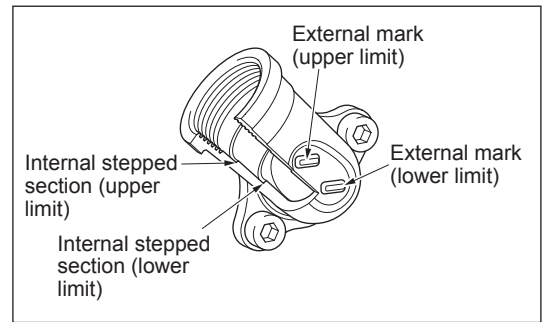


Alternative draining method

Remove oil cap, tilt the equipment toward oil filler hole, and drain out oil. Collect oil in container.



- 5) Set the engine level, and gradually fill up to upper limit mark with new oil.
- 6) After filling, tightly secure oil cap, so that it will not loosen and cause leaks. If oil cap is not tightly secured, it may leak.



POINTS ON OIL

- Never discard replaced engine oil in garbage, earth or sewage ditch. Disposal of oil is regulated by law. In disposal, always follow the relevant laws and regulations. For any points remaining unknown, contact Authorized Service Agent.
- Oil will deteriorate even when it is kept unused. Perform inspection and replacement at regular intervals (replace with new oil every 6 months).

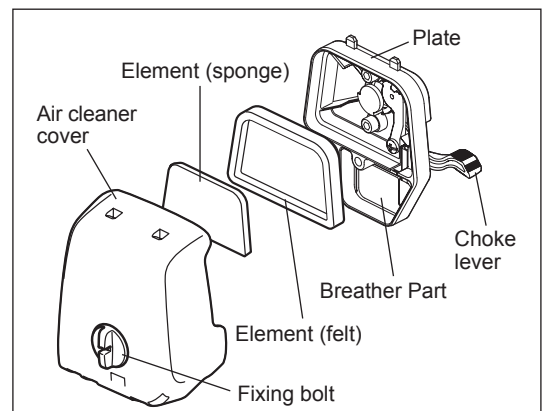
CLEANING OF AIR CLEANER



WARNING: Shut off the engine, keep away from open flames and do not smoke.

Interval of Cleaning and Inspection: Daily (every 10 operating hours)

- Turn the choke lever to the full close side, and keep the carburetor off from dust or dirt.
- Loosen the fixing bolt.
- Remove the air cleaner cover by pulling its bottom side.
- Remove the elements and tap them to remove dirt.
- If the elements are heavily contaminated:
Remove the elements, immerse them in warm water or in water-diluted neutral detergent, and dry them completely. Do not squeeze or rub them when washing.
- Before attaching the elements, be sure to dry them completely. Insufficient drying of the elements may lead to difficult startup.
- Wipe out oil adhering around the air cleaner cover and the breather part with waste cloth.
- Fit the element (sponge) into the element (felt).
Fit the elements into the plate so that the sponge faces the air cleaner cover.
- Immediately attach the cleaner cover and tighten it with fixing bolts. (In remounting, first place the upper claw, and then the lower claw.)



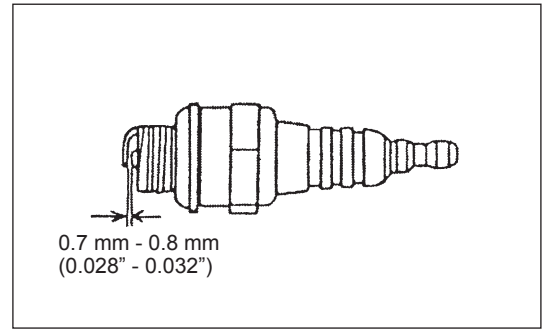
NOTICE:

- Clean the elements several times a day, if excessive dust adheres to it. Dirty elements reduce engine power and make starting engine difficult.
- Remove oil on the elements. If operation continues with the elements remaining not cleared of oil, oil in the air cleaner may fall outside, resulting in contamination of the environment.
- Do not put the elements on the ground or dirty place. Otherwise they pick up dirt or debris and it may damage the engine.
- Never use fuel for cleaning the elements. Fuel may damage them.

CHECKING THE SPARK PLUG

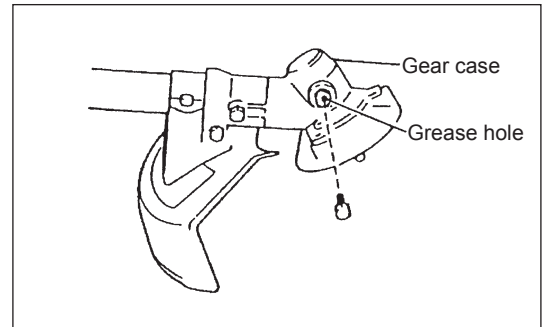
- Only use the supplied universal wrench to remove or to install the spark plug.
- The gap between the two electrodes of the spark plug should be 0.7 - 0.8 mm (0.028" - 0.032"). If the gap is too wide or too narrow, adjust it. If the spark plug is clogged or contaminated, clean it thoroughly or replace it.

CAUTION: Never touch the spark plug connector while the engine is running (danger of high voltage electric shock).



SUPPLY OF GREASE TO GEAR CASE

- Supply grease (Shell Alvania 2 or equivalent) to the gear case through the grease hole every 30 hours. (Genuine MAKITA grease may be purchased from your MAKITA dealer.)



CLEANING OF FUEL FILTER

WARNING: INFLAMMABLES STRICTLY PROHIBITED

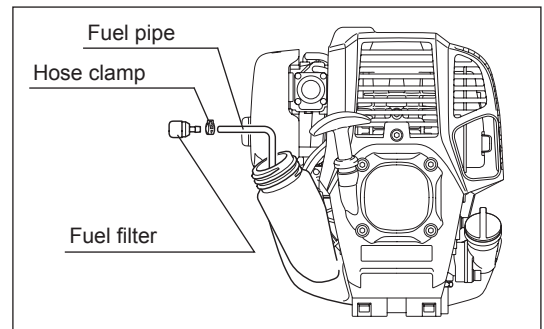
Interval of Cleaning and Inspection: Monthly (every 50 operating hours)

Suction head in the fuel tank

Check the fuel filter periodically. To check the fuel filter, follow the steps below.

- (1) Remove the fuel tank cap, drain the fuel to empty the tank. Check the tank inside for any foreign materials. If any, remove them.
- (2) Pull out the suction head by using a wire hook through the tank opening.
- (3) If the fuel filter clogged slightly, clean it. To clean it, gently shake and tap it in fuel. To avoid damage, do not squeeze or rub it. The fuel used for the cleaning must be disposed in accordance with the method specified by regulations in your country.
If the fuel filter became hard or heavily clogged up, replace it.
- (4) After checking, cleaning or replacing, push the fuel filter in all the way to the bottom of the fuel tank.

Clogged or damaged fuel filter can cause insufficient fuel supply and reduce engine power. Replace the fuel filter at least quarterly to ensure satisfactory fuel supply to the carburetor.



REPLACEMENT OF FUEL PIPE

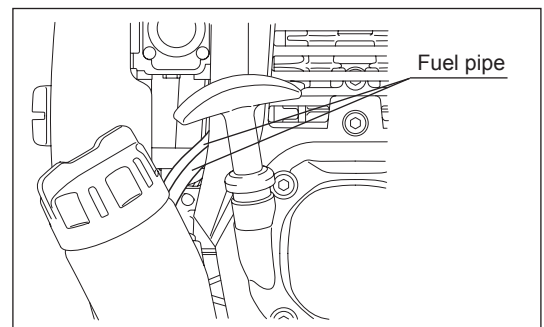
CAUTION: INFLAMMABLES STRICTLY PROHIBITED

Interval of Cleaning and Inspection: Daily (every 10 operating hours)

Replacement: Annually (every 200 operating hours)

Replace the fuel pipe every year, regardless of operating frequency. Fuel leakage may lead to fire.

If any leakage is detected during inspection, replace the fuel pipe immediately.



INSPECTION OF BOLTS, NUTS AND SCREWS

- Retighten loose bolts, nuts, etc.
- Check the fuel cap and oil cap for tightness. Check for fuel and oil leakage.
- Replace damaged parts with new ones for safety operation.

CLEANING OF PARTS

- Always keep the engine clean.
- Keep the cylinder fins free of dust or dirt. Dust or dirt adhering to the fins will cause piston seizure.

REPLACEMENT OF GASKETS AND PACKINGS

In reassembling the engine, be sure to replace the gaskets and packings with new ones.

Any maintenance or adjustment work that is not included and described in this manual is only to be performed by Authorized Service Agents.

STORAGE

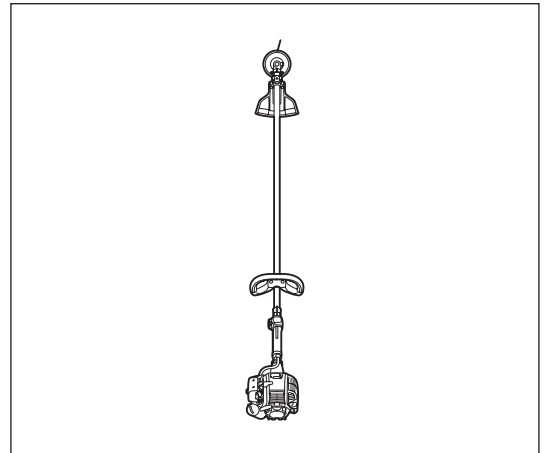


WARNING: When draining the fuel, be sure to stop the engine and make sure that the engine cools down. Just after stopping the engine, it may still be hot with possibility of burns, inflammability and fire.



ATTENTION: When the machine is kept out of operation for a long time, drain up all fuel from the fuel tank and carburetor, and keep it at a dry and clean place.

- Drain fuel from the fuel tank and carburetor according to the following procedure:
 - 1) Remove the fuel tank cap, and drain fuel completely. If there is any foreign matter remaining in the fuel tank, remove it completely.
 - 2) Pull out the fuel filter from the refill port using a wire.
 - 3) Push the primer pump until fuel is drained from there, and drain fuel coming into the fuel tank.
 - 4) Put the filter to the fuel tank, and securely tighten the fuel tank cap.
 - 5) Then, continue to operate the engine until it stops.
- Remove the spark plug, and drip several drops of engine oil through the spark plug hole.
- Gently pull the starter handle so that engine oil will spread over the engine, and attach the spark plug.
- Attach the cover to the cutter blade.
- During storage, keep the rod horizontal or keep the machine upright with the blade edge oriented upward. (In this case, pay full attention to prevent the machine from falling.)
Never store the machine with the cutter blade edge oriented downward. Lubricating oil may spill out.
- Keep the drained fuel in a special container in a well-ventilated shade.



Attention after long-time storage

- Before startup after long-time shutdown, be sure to replace oil (refer to P 18). Oil will deteriorate while the machine is kept out of operation.

Fault location

Fault	System	Observation	Cause
Engine not starting or with difficulty	Ignition system	Ignition spark O.K.	Fault in fuel supply or compression system, mechanical defect
		No ignition spark	STOP-switch operated, wiring fault or short circuit, spark plug or connector defective, ignition module faulty
	Fuel supply	Fuel tank filled	Incorrect choke position, carburetor defective, fuel supply line bent or blocked, fuel dirty
	Compression	No compression when pulled over	Cylinder bottom gasket defective, crankshaft seals damaged, cylinder or piston rings defective or improper sealing of spark plug
Warm start problems	Mechanical fault	Starter not engaging	Broken starter spring, broken parts inside of the engine
		Tank filled ignition spark existing	Carburetor contaminated, have it cleaned
Engine starts but dies	Fuel supply	Tank filled	Incorrect idling adjustment, carburetor contaminated Fuel tank vent defective, fuel supply line interrupted, cable or STOP-switch faulty
Insufficient performance	Several systems may simultaneously be affected	Engine idling poor	Air filter contaminated, carburetor contaminated, muffler clogged, exhaust duct in the cylinder clogged

Item	Operating time								Shutdown/ rest	Corres- ponding P
		Before operation	After lubrication	Daily (10h)	30h	50h	200h			
Engine oil	Inspect	○							12	
	Replace					○*1			18	
Tightening parts (bolt, nut)	Inspect	○							20	
Fuel tank	Clean/inspect	○							—	
	Drain fuel							○*3	21	
Throttle lever	Check function		○						—	
Stop switch	Check function		○						16	
Cutting blade	Inspect	○		○					10	
Low-speed rotation	Inspect/adjust			○					16	
Air cleaner	Clean			○					19	
Ignition plug	Inspect			○					20	
Cooling air duct	Clean/inspect			○					20	
Fuel pipe	Inspect			○					20	
	Replace						◎*2		—	
Gear-case grease	Refill				○				20	
Fuel filter	Clean/replace					○			20	
Clearance between air intake valve and air discharge valve	Adjust						◎*2		—	
Engine overhaul							◎*2		—	
Carburetor	Drain fuel							○*3	21	

*1 Perform initial replacement after 20h operation.

*2 For the 200 operating hour inspection, request Authorized Service Agent or a machine shop.

*3 After emptying the fuel tank, continue to run the engine and drain fuel in the carburetor.

TROUBLESHOOTING

Before making a request for repairs, check for trouble by yourself. If any abnormality is found, control your machine according to the description of this manual. Never tamper or dismount any part contrary to the description. For repairs, contact Authorized Service Agent or local dealership.

State of abnormality	Probable cause (malfunction)	Remedy
Engine does not start	Failure to operate primer pump	Push 7 to 10 times
	Low pulling speed of starter rope	Pull strongly
	Lack of fuel	Feed fuel
	Clogged fuel filter	Clean
	Broken fuel tube	Replace
	Deteriorated fuel	Deteriorated fuel makes starting more difficult. Replace with new fuel. (Recommended replacement: 1 month)
	Excessive suction of fuel	Set throttle lever from medium speed to high speed, and pull starter handle until engine starts. Once engine starts, cutter blade starts rotating. Pay full attention to cutter blade. If engine will not start still, remove spark plug, dry the electrode, and reassemble them as they originally are. Then, start as specified.
	Detached plug cap	Attach securely
	Contaminated spark plug	Clean
	Abnormal clearance of spark plug	Adjust clearance
	Other abnormality of spark plug	Replace
	Abnormal carburetor	Make request for inspection and maintenance.
	Starter rope cannot be pulled	Make request for inspection and maintenance.
	Abnormal drive system	Make request for inspection and maintenance.
Engine stops soon Engine speed does not increase	Insufficient warm-up	Perform warm-up operation
	Choke lever is set to "CLOSE" although engine is warmed up.	Set to "OPEN"
	Clogged fuel filter	Clean or replace
	Contaminated or clogged air cleaner	Clean
	Abnormal carburetor	Make request for inspection and maintenance.
	Abnormal drive system	Make request for inspection and maintenance.
Cutter blade does not rotate ↓ Stop engine immediately	Loosened cutter blade-tightening nut	Tighten securely
	Twigs caught by cutter blade or dispersion-preventing cover.	Remove foreign matter
	Abnormal drive system	Make request for inspection and maintenance.
Main unit vibrates abnormally ↓ Stop engine immediately	Broken, bent or worn cutter blade	Replace cutter blade
	Loosened cutter blade-tightening nut	Tighten securely
	Shifted convex part of cutter blade and cutter blade support fitting.	Attach securely
	Abnormal drive system	Make request for inspection and maintenance.
Cutter blade does not stop immediately ↓ Stop engine immediately	High idling rotation	Adjust
	Detached throttle wire	Attach securely
	Abnormal drive system	Make request for inspection and maintenance.
Engine does not stop ↓ Run engine at idling, and set choke lever to CLOSE	Detached connector	Attach securely
	Abnormal electric system	Make request for inspection and maintenance.

When the engine does not start after warm-up operation:

If there is no abnormality found for the check items, open the throttle by about 1/3 and start the engine.

Merci d'avoir acheté l'équipement de jardinage motorisé MAKITA. Nous sommes heureux de vous recommander ce produit MAKITA qui est le fruit d'un long programme de développement et de nombreuses années de connaissances et d'expérience. Veuillez lire ce document, il décrit en détail les performances remarquables de cette machine. Il vous aidera à obtenir les meilleurs résultats possibles de votre produit MAKITA.



Table des matières	Page
Pictogrammes.....	24
Consignes de sécurité.....	25
Données techniques.....	29
Désignation des pièces.....	30
Montage de la poignée.....	31
Ensemble outil de coupe, protecteur, poignée et sangle homologué.....	32
Montage du protecteur.....	33
Montage de la lame de coupe ou de la tête à fils nylon.....	34
Avant utilisation.....	35
Manipulation correcte de la machine.....	37
Remarques concernant le fonctionnement et l'arrêt de la machine.....	37
Réaffûtage de l'outil de coupe.....	39
Instructions d'entretien.....	41
Entreposage.....	44

PICTOGRAMMES

Vous verrez les pictogrammes suivants en lisant le manuel d'instructions.

	Lire le manuel d'instructions et respecter les avertissements et mesures de sécurité!		Zone de travail interdite aux individus et aux animaux!
	Faire particulièrement attention!		Casque de protection, protections oculaire et auditive obligatoires!
	Interdit!		Vitesse d'outil maximale autorisée
	Ne pas s'approcher!		Carburant (essence)
	Danger de projections!		Démarrage manuel du moteur
	Défense de fumer!		Arrêt d'urgence
	Flamme nue interdite!		Premiers soins
	Gants de protection obligatoires!		MARCHE/DÉMARRAGE
	Portez des chaussures solides avec semelle antidérapante. Il est conseillé de porter des chaussures avec embout de sécurité!		ARRÊT/COUPURE MACHINE
	Mouvement de recul!		

CONSIGNES DE SÉCURITÉ

Consignes générales

- Lisez ce manuel d'instructions afin de vous familiariser avec le fonctionnement de l'équipement. S'ils ne sont pas suffisamment informés, les utilisateurs qui manipulent la machine de façon incorrecte représentent un danger pour eux-mêmes comme pour les autres.
- Il est recommandé de ne prêter cet équipement qu'à des personnes expérimentées.
Fournissez toujours le manuel d'instructions.
- Les utilisateurs inexpérimentés doivent demander des instructions de base au vendeur afin de se familiariser avec la manipulation de la débroussailleuse motorisée.
- N'autorisez pas les enfants et les personnes de moins de 18 ans à utiliser cet équipement. Les personnes âgées de plus de 16 ans peuvent toutefois utiliser la machine en vue d'apprentissage si elles sont toujours sous la surveillance d'un adulte qualifié.
- Utilisez la machine avec le maximum de soin et d'attention.
- N'utilisez la machine que si vous êtes en bonne condition physique. Manipulez délicatement et soigneusement la machine. L'utilisateur doit accepter d'assumer la responsabilité pour les autres.
- N'utilisez jamais cet équipement après avoir consommé de l'alcool ou de la drogue, ou si vous vous sentez fatigué ou malade.
- La réglementation nationale peut limiter l'utilisation de cette machine.

Utilisation normale de la machine

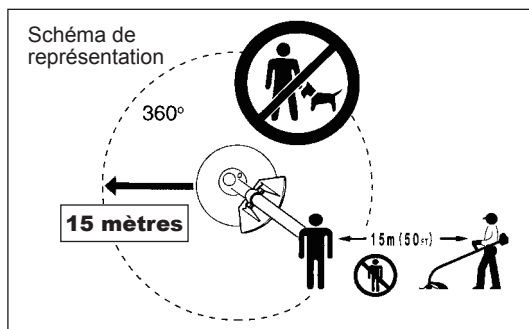
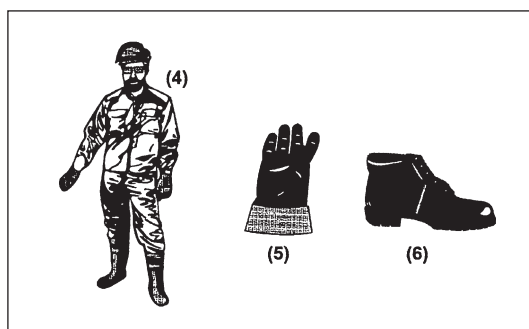
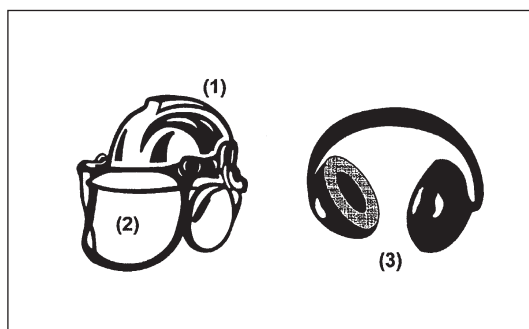
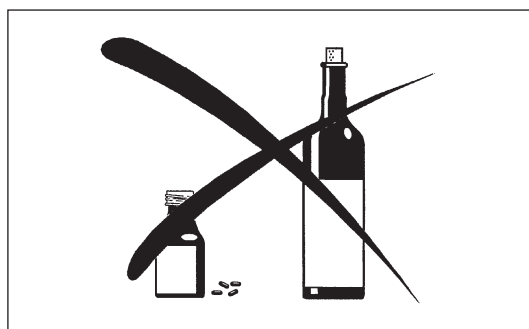
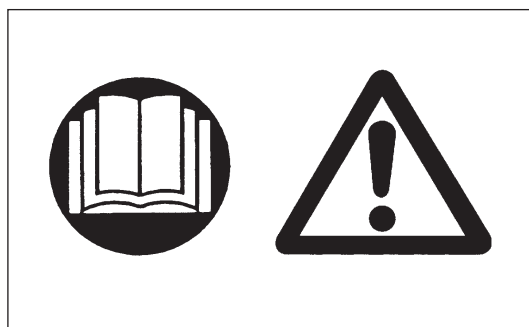
- Cet équipement est conçu pour couper de l'herbe, des buissons et des broussailles. Il ne doit en aucun cas être utilisé dans un autre but, comme le dressage de bordures ou la taille de haies. Cela représente un risque de blessure.

Équipement de protection personnel

- La tenue portée doit être fonctionnelle et appropriée, autrement dit elle doit être ajustée et ne pas entraver les mouvements. Ne portez pas de bijoux ni de vêtements qui pourraient s'accrocher dans les buissons ou les arbustes.
- Afin d'éviter les blessures à la tête, aux yeux, aux mains ou aux pieds et de protéger votre ouïe, vous devez porter l'équipement et les vêtements de protection indiqués ci-dessous lorsque vous utilisez l'équipement.
- Portez toujours un casque s'il y a un risque de chute d'objets. Le casque de protection (1) doit être inspecté fréquemment en vue d'éventuels dommages et doit être remplacé au moins tous les 5 ans. Utilisez uniquement des casques de protection homologués.
- La visière-écran (2) du casque (ou à défaut les lunettes étanches) protège le visage des projections de débris et de pierres. Portez toujours des lunettes étanches ou une visière lorsque vous utilisez l'équipement, afin de prévenir les blessures aux yeux.
- Portez un équipement anti-bruit adéquat afin d'éviter une perte auditive (protège-oreilles (3), bouchons d'oreilles, etc.).
- La combinaison de travail (4) protège contre les projections de débris et de pierres. Il est vivement recommandé à l'utilisateur de porter une combinaison de travail.
- Les gants (5) font partie de l'équipement recommandé et doivent toujours être portés pendant l'utilisation de la machine.
- Lorsque vous utilisez la machine, portez toujours des chaussures renforcées (6) dotées de semelles antidérapantes. Cela vous préservera des blessures et vous assurera une bonne stabilité.

Démarrage de la débroussailleuse thermique

- Veillez à éloigner les enfants ou toute autre personne dans un périmètre de travail de 15 mètres (50 pieds) et faites également attention aux animaux présents dans cette zone.
- Avant utilisation, vérifiez toujours que l'équipement est en bon état de fonctionnement :
Contrôlez l'état de l'outil de coupe, puis vérifiez que le levier d'accélérateur peut être actionné facilement et que la sécurité du levier d'accélérateur fonctionne correctement.
- L'outil de coupe ne doit pas tourner lorsque la machine est au ralenti. Vérifiez le réglage auprès de votre vendeur en cas de doute. Vérifiez que les poignées sont propres et sèches, et testez le fonctionnement du commutateur marche/arrêt.

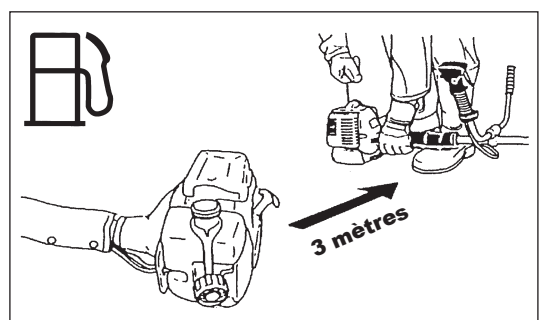
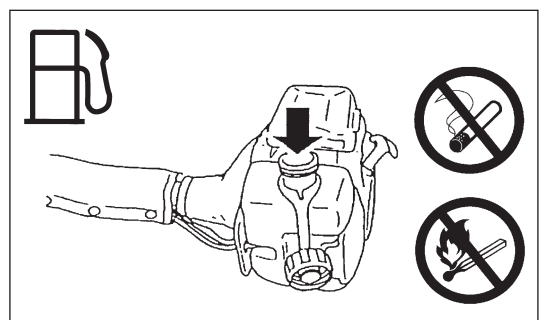
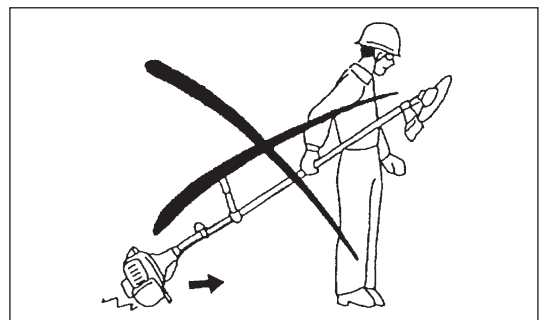
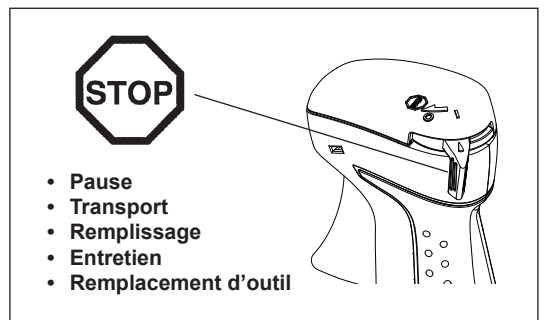
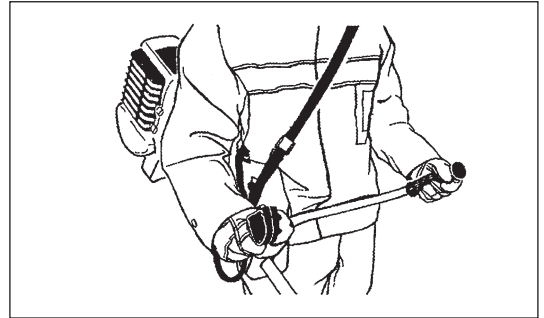
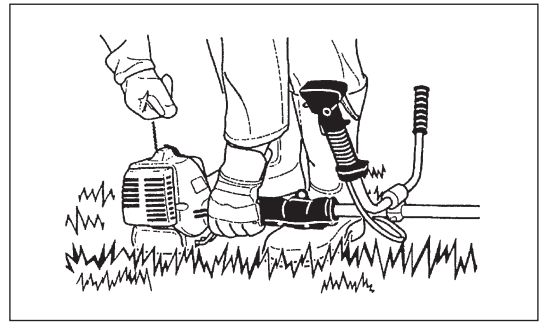


Suivez strictement les instructions pour démarrer la débroussailleuse thermique.

- Ne démarrez pas le moteur d'une autre façon.
- N'utilisez la débroussailleuse thermique et ses outils que pour l'utilisation à laquelle ils sont destinés.
- Ne démarrez le moteur qu'une fois que la machine est totalement montée. Le fonctionnement de la machine n'est possible qu'une fois tous les accessoires correctement fixés!
- Avant le démarrage, veillez à ce que l'outil de coupe ne soit pas en contact avec des objets durs tels que des branches, des pierres, etc., étant donné qu'il amorcera la rotation au démarrage.
- Vous devez couper immédiatement le moteur s'il présente un dysfonctionnement.
- Si l'outil de coupe heurte des pierres ou des objets durs, coupez immédiatement le moteur et inspectez l'outil de coupe.
- Inspectez fréquemment l'outil de coupe en vue d'éventuels dommages (détection de craquelures grâce à un test de bruit de battement).
- Utilisez l'équipement seulement après avoir mis la sangle d'épaule; celle-ci doit être réglée adéquatement avant que la débroussailleuse thermique ne soit mise en marche. La sangle d'épaule doit être ajustée à la taille de l'utilisateur afin d'éviter une fatigue à l'utilisation. Ne saisissez jamais l'outil de coupe à la main lorsque la machine est en marche.
- Lorsque vous utilisez la débroussailleuse thermique, tenez-la toujours avec les deux mains. Assurez-vous toujours de votre stabilité.
- Utilisez l'équipement de manière à éviter l'inhalation des gaz d'échappement. Ne faites jamais fonctionner le moteur dans une pièce fermée (risque d'asphyxie au gaz).
Le monoxyde de carbone est un gaz inodore.
- Coupez le moteur lorsque vous faites une pause ou que vous laissez l'équipement sans surveillance et placez-le dans un endroit sûr afin de ne pas mettre les autres en danger et de ne pas l'endommager.
- Ne posez jamais la débroussailleuse thermique chaude sur de l'herbe sèche ou sur un matériau combustible.
- L'outil de coupe doit être équipé de la gaine prévue à cet effet. N'utilisez jamais les fils nylon sans cette gaine.
- Toutes les installations de protection et gaines fournies avec la machine doivent être utilisées lors de son utilisation.
- N'utilisez jamais le moteur si le silencieux d'échappement est défectueux.
- Coupez le moteur pendant le transport.
- Pendant les transports sur de longues distances, la protection d'outil fournie avec l'équipement doit toujours être utilisée.
- Placez l'équipement dans une position sûre lors de transports en voiture afin d'éviter toute fuite d'essence.
- Lors des transports, assurez-vous que le réservoir d'essence est complètement vide.
- Lors du déchargement de l'équipement d'un camion, ne laissez jamais tomber le moteur par terre, cela pourrait sérieusement endommager le réservoir d'essence.
- Sauf en cas d'urgence, ne faites jamais tomber l'équipement ou ne le lancez pas par terre; cela risquerait de provoquer des dommages graves.
- Ne traînez pas l'équipement sur le sol lorsque vous le transportez. Il est très dangereux de faire traîner le réservoir d'essence, cela pourrait l'endommager, provoquer une fuite d'essence, voire même déclencher un incendie.

Remplissage

- Coupez le moteur pendant le remplissage du réservoir, éloignez-vous de toute flamme et ne fumez pas.
- Évitez tout contact des produits pétroliers avec la peau. N'inhaliez pas les vapeurs d'essence. Portez toujours des gants de protection pendant le remplissage du réservoir. Changez et nettoyez souvent les vêtements de protection.
- Veillez à ne pas renverser l'essence ou l'huile afin de ne pas contaminer les sols (protection de l'environnement). Nettoyez la débroussailleuse thermique immédiatement si de l'essence a été renversée.
- Évitez les projections d'essence sur vos vêtements. Changez immédiatement vos vêtements en cas de projection d'essence (pour éviter qu'ils ne s'enflamment).
- Inspectez régulièrement le bouchon du réservoir d'essence pour vous assurer qu'il se ferme correctement et qu'il ne fuit pas.
- Serrez bien le bouchon du réservoir d'essence. Déplacez-vous pour démarrer le moteur (à au moins 3 mètres du lieu de remplissage du réservoir).
- Ne remplissez jamais le réservoir dans une pièce fermée. Les vapeurs d'essence s'accumulent au ras du sol (risque d'explosions).
- Ne transportez et ne conservez l'essence que dans des conteneurs appropriés. Veillez à conserver l'essence hors de portée des enfants.



Mode de fonctionnement

- Utilisez l'équipement seulement avec un bon éclairage et dans de bonnes conditions de visibilité. En hiver, faites attention aux sols glissants et aux zones humides, à la glace et à la neige (risque de glissade). Assurez-vous toujours de votre stabilité.
- Ne réalisez jamais de coupe en tenant la machine plus haut que votre taille.
- Ne montez jamais sur une échelle.
- Ne réalisez jamais de coupe en étant perché dans un arbre.
- Ne travaillez pas sur des surfaces instables.
- Retirez le sable, les pierres, les clous, etc. trouvés dans le périmètre de travail.
Les corps étrangers peuvent endommager l'outil de coupe et entraîner des mouvements de recul dangereux.
- Avant de commencer la coupe, l'outil de coupe doit avoir atteint sa vitesse maximale.
- Lorsque vous utilisez des lames métalliques, déplacez l'outil régulièrement en demi cercle de droite à gauche, comme si vous utilisiez une faux.

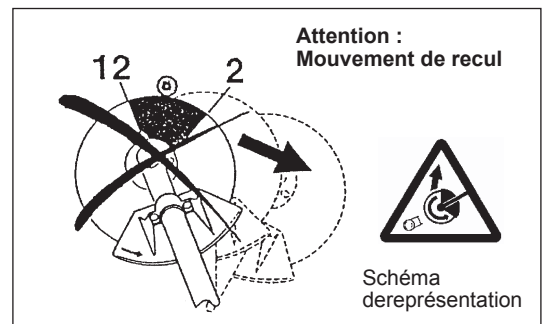


Outils de coupe

- Utilisez un outil de coupe approprié pour le travail à effectuer.
Les têtes à fils nylon (fils nylon) conviennent pour couper le gazon.
Les lames métalliques conviennent pour couper les herbes hautes, les buissons, les arbustes, les broussailles, les fourrés, etc.
- Lorsque vous utilisez des lames métalliques, utilisez toujours le protecteur, la poignée (avec barre de protection) et la sangle homologués et prévus à cet effet. Si vous ne le faites pas, un contact avec la lame peut entraîner des blessures graves. Consultez la section « Ensemble outil de coupe, protecteur, poignée et sangle homologué ».
- Lorsque vous utilisez des lames métalliques, évitez les « mouvements de recul » et préparez-vous au cas où il s'en produirait de manière accidentelle. Consultez la section « Mouvement de recul » et « Prévention des mouvements de recul ».

Mouvement de recul

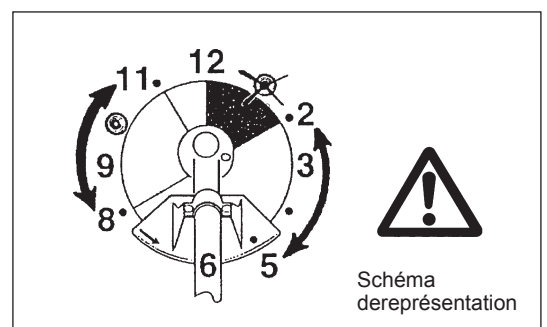
- Lorsque vous utilisez la débroussailleuse thermique, un mouvement de recul incontrôlable peut se produire.
- Cela arrive notamment lorsque vous essayez de couper avec un segment de lame compris entre 12 et 2 heures.
- N'appliquez jamais la débroussailleuse thermique avec un segment compris entre 12 et 2 heures.
- N'appliquez jamais ce segment de lame de la débroussailleuse thermique sur des corps solides, tels que des buissons, des arbres, etc., ayant un diamètre de plus de 3 cm sans quoi la débroussailleuse thermique serait violemment détournée, et vous risqueriez de vous blesser.



Prévention des mouvements de recul

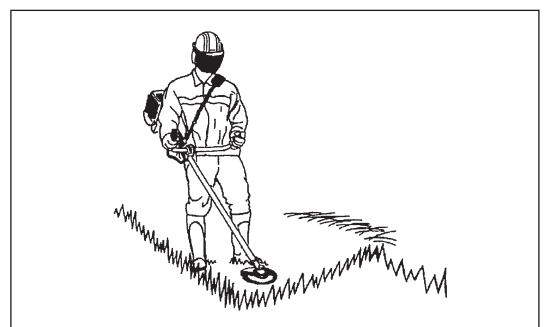
Afin d'éviter les mouvements de recul, observez les consignes suivantes :

- Utiliser un segment compris entre 12 et 2 heures représente un danger, en particulier si vous utilisez des lames métalliques;
- Les coupes en appliquant les segments entre 11 et 12 h et 2 et 5 h doivent être réalisées par des utilisateurs formés et expérimentés, à leurs risques et périls.
Une coupe aisée presque sans aucun mouvement de recul est possible en appliquant le segment entre 8 et 11 h.



Consignes d'entretien

- Vous devez vérifier l'état de l'outil de coupe, des protections et de la sangle d'épaule, avant de commencer à travailler. Prêtez particulièrement attention aux lames de coupe qui doivent être correctement affûtées.
- Coupez le moteur et retirez le connecteur de la bougie d'allumage lorsque vous remplacez ou affûtez les outils de coupe, et également lorsque vous les nettoyez.



Ne réparez ni ne soudez jamais des outils de coupe endommagés.

- Pensez à protéger l'environnement. Évitez d'utiliser l'accélérateur de manière excessive pour réduire les émissions de gaz et de bruit. Réglez le carburateur correctement.
- Nettoyez l'équipement à intervalles réguliers et vérifiez que toutes les vis et tous les écrous sont bien serrés.
- Ne réparez ou n'entreposez jamais l'équipement à proximité de flammes nues.
- Entreposez toujours l'équipement dans une pièce fermée à clé avec le réservoir d'essence vide.



Respectez les consignes de prévention des accidents fournies par les associations professionnelles ainsi que par les compagnies d'assurance concernées.

N'apportez aucune modification à l'équipement, cela vous mettrait en danger.

L'entretien ou les réparations réalisables par l'utilisateur sont ceux décrits dans le manuel d'instructions. Tout autre travail doit être réalisé par un technicien agréé. N'utilisez que des pièces de rechange et accessoires fabriqués et vendus par MAKITA.

L'utilisation d'accessoires et outils non agréés accroît le risque d'accidents.

MAKITA décline toute responsabilité en cas d'accidents ou de dommages du fait de l'utilisation d'outils de coupe, de dispositifs de fixation d'outils de coupe ou d'accessoires non agréés.

Premiers soins

En cas d'accident, veillez à avoir une trousse de premiers soins non loin de la zone de travail. Remplacez sans délai tout article utilisé dans la trousse de premiers soins.

Si vous demandez de l'aide, veillez à donner les informations suivantes :

- lieu de l'accident;
- conditions de l'accident;
- nombre de personnes blessées;
- le type de blessure;
- votre nom.



DONNÉES TECHNIQUES EM2650UH, EM2650LH, EM2652LHN

Modèle	EM2650UH	EM2650LH	EM2652LHN
	Guidon	Poignée arceau	
Dimensions : longueur x largeur x hauteur (hors lame de coupe) pouce (mm)	69 - 1/2" X 24 - 3/8" X 18 - 2/3" (1 765 x 620 x 474)	69 - 1/2" X 8 - 7/8" X 12 - 3/4" (1 765 x 226 x 323)	70" X 9 - 9/16" X 12 - 3/4" (1 776 x 243 x 323)
Poids (hors gaine plastique et lame de coupe) lb (kg)	12,11 (5,5)	11,02 (5,0)	11,5 (5,2)
Volume (réservoir d'essence) oz liq (l)	20,3 (0,6)		
Volume (réservoir d'huile) oz liq (l)	2,7 (0,08)		
Cylindrée pouce cube (cm³)	1,5 (25,4)		
Rendement maximal du moteur hp (kW)	1,1 (0,77) à 7 000 tr/min		
Vitesse moteur à la vitesse de broche maximale recommandée TR/MIN (1/min)	10 000	9 700	
Vitesse de broche maximale (correspondante) TR/MIN (1/min)	7 400	4 700	
Vitesse au ralenti TR/MIN (1/min)	3 000		
Vitesse d'embrayage TR/MIN (1/min)	3 900	4 000	
Carburateur	Type de diaphragme		
Système d'allumage	Sans contact, type aimanté		
Bougie d'allumage type	NGK CMR4A		
Distance entre les électrodes pouce (mm)	0,028" - 0,032" (0,7 - 0,8)		
Carburant	Essence automobile (carburant)		
Huile moteur	Huile de grade API classe SF ou supérieure SAE 10W-30 (huile pour moteur à quatre temps)		
Outils de coupe (diamètre de la lame de coupe) pouce (mm)	9 - 1/16" (230)	—	—
Rapport de transmission	14/19		14/29

(Pour le Canada) REMARQUE : Le système d'allumage par bougie est conforme à la norme canadienne ICES-002.

MONTAGE DE LA POIGNÉE

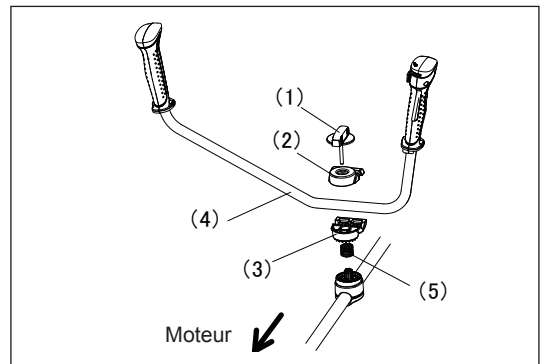
ATTENTION : Avant d'effectuer tout travail sur l'équipement, coupez toujours le moteur et retirez le connecteur de la bougie d'allumage.
Portez toujours des gants de protection.

ATTENTION : Ne démarrez le moteur qu'après l'avoir entièrement assemblé.

Pour les machines avec guidon

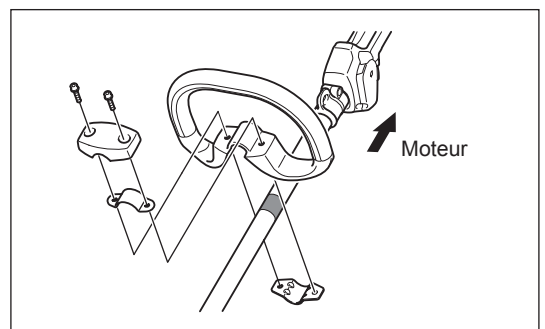
- Desserrez la molette (1).
- Placez le guidon (4) entre la pièce de serrage (2) et le support (3).
- Réglez le guidon (4) à un angle qui permet une position de travail confortable et fixez-le solidement en serrant la molette (1) à la main.

ATTENTION : N'oubliez pas de monter le ressort (5).



Pour les machines avec poignée arceau

- Fixez la poignée arceau sur l'axe comme indiqué.
- Pour conserver une distance correcte entre les poignées, placez la poignée arceau devant les flèches.

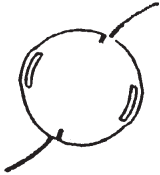
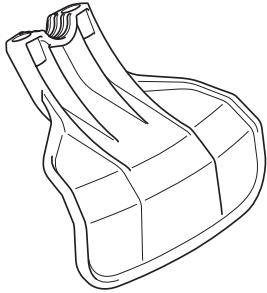


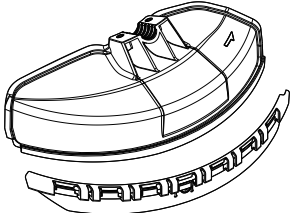




ENSEMBLE OUTIL DE COUPE, PROTECTEUR, POIGNÉE ET SANGLE HOMOLOGUÉ

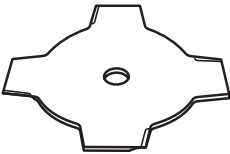
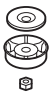
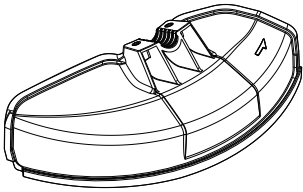
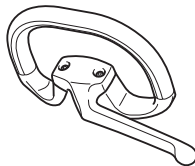




AVERTISSEMENT : Utilisez toujours l'outil avec l'ensemble d'équipements de sécurité homologué.
Si vous ne le faites pas, un contact avec l'outil de coupe peut entraîner des blessures graves.

Utilisation d'une tête à fils nylon (EM2650UH, EM2650LH, EM2652LHN)

Tête à fils nylon	Protecteur	Poignée	Sangle
		 (avec ou sans barre de protection)	 (avec ou sans sangle d'épaule)
	 (avec extension de protecteur)		

Utilisation d'une lame métallique (EM2650UH, accessoire en option pour EM2650LH, EM2652LHN)

Lame métallique	Protecteur	Poignée	Sangle
  (La rondelle de serrage, le manchon et l'écrou sont nécessaires)	 (sans extension de protecteur)	 (avec barre de protection)	 

MONTAGE DU PROTECTEUR

Afin de respecter les consignes de sécurité en vigueur, vous ne devez utiliser que les ensembles outil/protecteur indiqués dans le tableau.

Pour le EM2650UH

- Si vous utilisez une lame métallique, fixez le protecteur (3) à la pièce de serrage (2) avec deux boulons M6 x 30 (1).

REMARQUE : Serrez de la même façon les boulons droit et gauche afin qu'il y ait le même écart entre la pièce de serrage (2) et le protecteur (3).
Sinon le protecteur peut parfois ne pas fonctionner comme spécifié.

- Si vous devez utiliser des fils nylon, veillez à monter l'extension de protecteur (4) sur le protecteur des lames métalliques (3).
- Montez l'extension de protecteur (4) en la faisant glisser à sa place depuis le côté du protecteur des lames métalliques (3) comme illustré.
- Retirez l'adhésif des fils nylon, sur l'extension de protecteur (4).

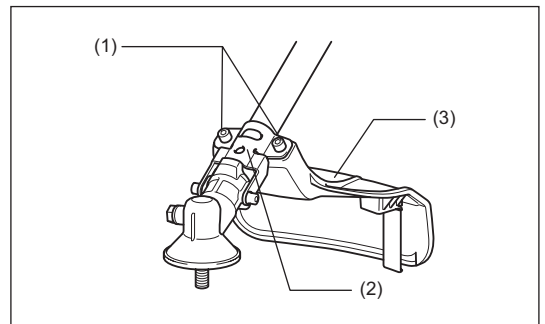
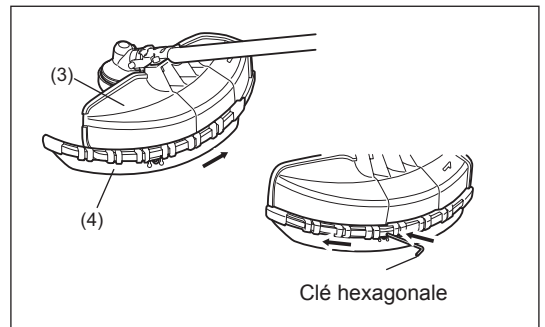
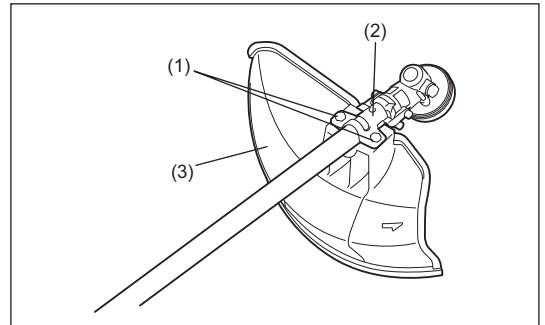
ATTENTION : Veillez à appuyer sur l'extension de protecteur (4) jusqu'à ce qu'elle soit complètement insérée.
Faites attention à ne pas vous blesser sur la lame servant à couper les fils nylon.

- Pour retirer l'extension de protecteur (4), placez une clé hexagonale dans l'entaille sur le protecteur des lames métalliques (3), appuyez dessus tout en faisant glisser l'extension de protecteur (4).

Pour le EM2650LH, EM2652LHN

- Fixez le protecteur (3) à la pièce de serrage (2) avec deux boulons M6 x 30 (1).

REMARQUE : Serrez de la même façon les boulons droit et gauche afin qu'il y ait le même écart entre la pièce de serrage (2) et le protecteur (3).
Sinon le protecteur peut parfois ne pas fonctionner comme spécifié.



MONTAGE DE LA LAME DE COUPE OU DE LA TÊTE À FILS NYLON

Veillez à utiliser des lames de coupe ou une tête à fils nylon MAKITA.

- La lame de coupe doit être correctement polie, et n'être ni craquelée, ni brisée. Si la lame de coupe heurte une pierre en cours de fonctionnement, coupez le moteur et vérifiez immédiatement l'état de la lame.
- Polissez ou remplacez la lame de coupe toutes les trois heures.
- Si la tête à fils nylon heurte une pierre en cours de fonctionnement, coupez le moteur et vérifiez immédiatement l'état de la tête à fils nylon.

ATTENTION : Le protecteur approprié doit toujours être installé, pour votre propre sécurité, mais également afin de répondre à la réglementation sur la prévention des accidents.

L'utilisation de l'équipement sans que le protecteur ne soit installé est interdite.

Le diamètre extérieur de la lame de coupe doit être de 230 mm (9 - 1/16"). N'utilisez jamais de lames de plus de 230 mm (9 - 1/16") de diamètre extérieur.

Retournez la machine pour remplacer facilement la lame de coupe ou la tête à fils nylon.

- Insérez la clé hexagonale dans le trou du carter d'engrenage et serrez la rondelle d'appui (4) jusqu'à ce qu'elle se bloque.
- Desserrez l'écrou (1) (vers la gauche) avec la clé à douille puis retirez l'écrou (1), le manchon (2) et la rondelle de serrage (3).

Montage de la lame de coupe avec la clé hexagonale restée en place

- Montez la lame de coupe sur l'axe de façon à ce que le guide de la rondelle d'appui (4) s'insère dans l'alésage central de la lame de coupe. Placez la rondelle de serrage (3), le manchon (2) et fixez la lame de coupe à l'aide de l'écrou (1).

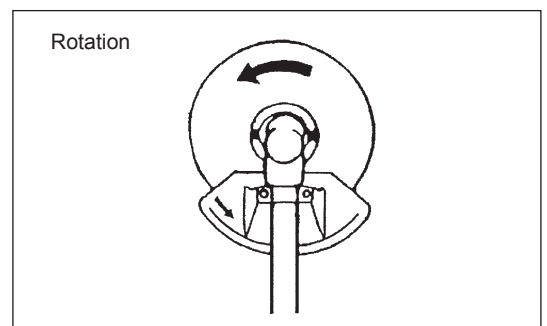
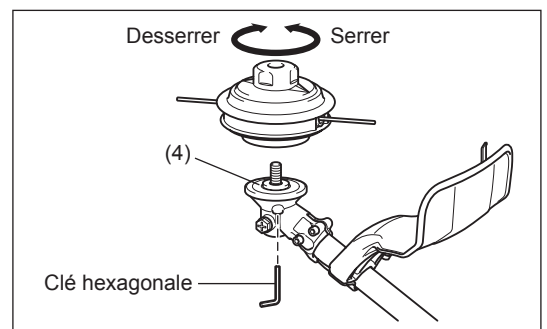
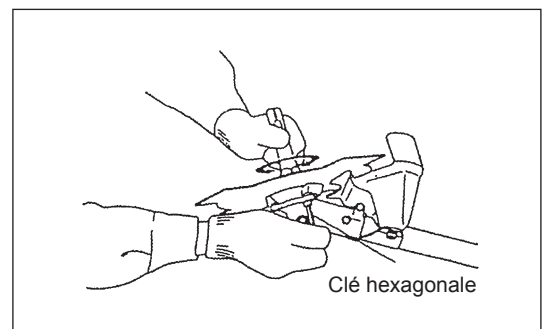
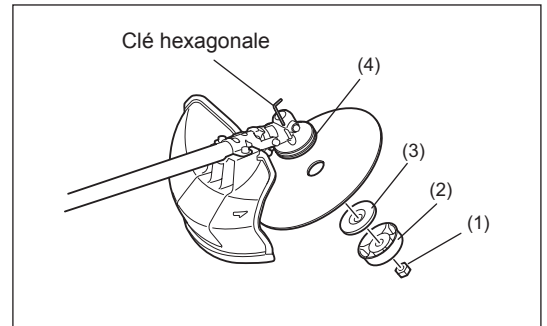
[Couple de serrage : 13 - 23 N-m]

REMARQUE : Portez toujours des gants lorsque vous manipulez la lame de coupe.

REMARQUE : L'écrou de fixation de la lame de coupe (avec rondelle frein) est une pièce consommable. En cas d'usure ou de déformation de la rondelle frein, remplacez l'écrou.

Montage de la tête à fils nylon

- La rondelle de serrage (3), le manchon (2) et l'écrou (1) ne sont pas nécessaires pour le montage de la tête à fils nylon. La tête à fils nylon doit être placée au-dessus de la rondelle d'appui (4).
- Insérez la clé hexagonale dans le trou du carter d'engrenage et serrez la rondelle d'appui (4) jusqu'à ce qu'elle se bloque.
- Puis vissez la tête à fils nylon sur l'axe dans le sens inverse des aiguilles d'une montre.
- Retirez la clé hexagonale.



AVANT UTILISATION

Inspection et remplissage de l'huile moteur

- Procédez comme suit, une fois le moteur refroidi.
- Placez le moteur de niveau, retirez le bouchon d'huile (Fig. 1) et vérifiez si le niveau d'huile est entre les repères de limite supérieure et inférieure sur le tuyau d'huile (Fig. 2).
- Remplissez d'huile jusqu'au repère de limite supérieure si le niveau est insuffisant (proche du repère de limite inférieure) (Fig. 3).
- La zone entre les repères externes est transparente, le niveau d'huile à l'intérieur peut donc être contrôlé sans avoir à retirer le bouchon d'huile. Cependant, si le tuyau d'huile devient très sale, la visibilité peut être altérée et le niveau d'huile doit être comparé à la section crantée à l'intérieur du tuyau d'huile.
- Pour informations, le temps de remplissage de l'huile est d'environ 10 heures (10 remplissages ou un remplissage de 10 réservoirs d'essence avant d'avoir besoin de remettre de l'huile).
Si l'huile change de couleur ou se mélange à des impuretés, changez-la. (Pour connaître la fréquence et la méthode de remplacement, reportez-vous à la page 41)

Huile recommandée : SAE 10W-30 huile de classification API, classe SF ou supérieure (moteur automobile à 4 temps)

Quantité d'huile : Environ 0,08 l

REMARQUE : Si le moteur n'est pas maintenu à la verticale, de l'huile peut s'infiltrer dans d'autres parties du moteur. La jauge de niveau d'huile peut indiquer un niveau d'huile incorrect. Ne pas remplir d'huile si le moteur n'est pas placé à la verticale. Si vous mettez trop d'huile, elle peut être souillée ou s'enflammer en dégageant une fumée blanche.

Remarque 1 concernant le changement d'huile : « Bouchon d'huile »

- Retirez la poussière ou les impuretés au niveau de l'orifice de remplissage d'huile, puis détachez le bouchon d'huile.
- Veillez à ce que le bouchon d'huile n'entre pas en contact avec du sable ou de la poussière. Le sable ou la poussière adhérant au bouchon d'huile pourrait perturber la circulation de l'huile ou entraîner une usure des pièces moteur, provoquant des problèmes.

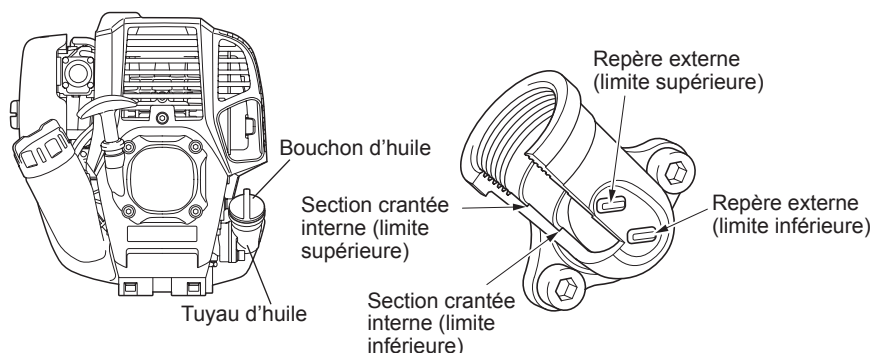


Fig. 1

Fig. 2 Tuyau d'huile

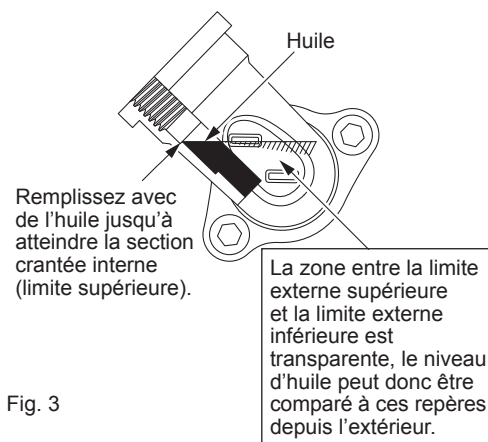
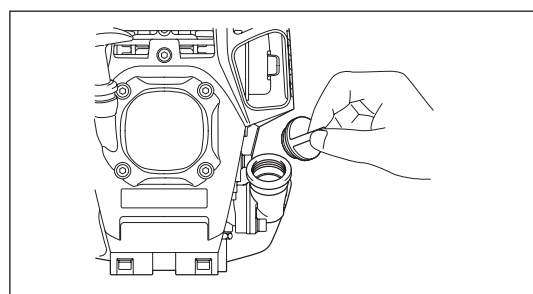
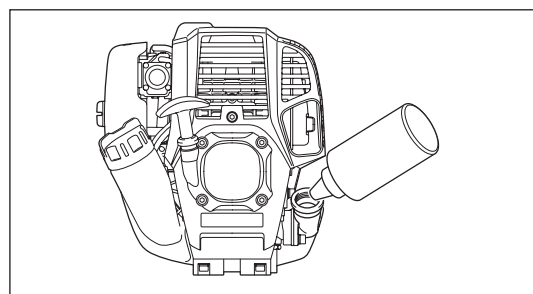


Fig. 3

(1) Maintenez le moteur de niveau et détachez le bouchon d'huile.



(2) Remplissez d'huile jusqu'au repère de limite supérieure. (Voir Fig. 3)
Utilisez la bouteille d'huile pour effectuer le remplissage.



(3) Serrez bien le bouchon d'huile. Une jauge d'huile insuffisamment serrée peut fuir.

Remarque

- Ne versez pas d'huile lorsque le moteur est incliné.
- Verser de l'huile alors que le moteur est incliné entraîne un remplissage excessif, causant une contamination de l'huile et/ou une fumée blanche.

Remarque 2 concernant le changement d'huile : « Si l'huile déborde »

- Si l'huile déborde entre le réservoir d'essence et le corps du moteur, elle sera aspirée par l'orifice d'admission d'air de refroidissement et contaminera le moteur. Veillez à essuyer l'excédent d'huile avant de démarrer la machine.

REPLISSAGE

Manipulation de l'essence

Vous devez manipuler l'essence avec une extrême précaution. L'essence peut contenir des substances telles que des solvants. Vous devez procéder au remplissage dans une pièce suffisamment ventilée ou en plein air. Tenez-vous éloigné de l'essence et évitez d'en inhaler les vapeurs. Si l'essence entre en contact plusieurs fois ou pendant longtemps avec votre peau, vous pourriez souffrir de sécheresse cutanée, entraînant maladies de peau ou allergies. En cas de projection d'essence dans les yeux, rincez à l'eau claire. Si vos yeux restent irrités, consultez un médecin.

Entreposage de l'essence

Vous devez utiliser l'essence dans un délai de 4 semaines, même si vous la conservez dans un conteneur spécial, dans un endroit ombragé et bien ventilé.

Sinon l'essence peut se détériorer en une journée.

ENTREPOSAGE DE LA MACHINE ET REMPLISSAGE DU RÉSERVOIR

- Entrez la machine et son réservoir dans un endroit frais non soumis à la lumière directe du soleil.
- Ne laissez jamais l'essence dans une voiture.

Carburant

Le moteur est un moteur à quatre temps. Veillez à utiliser de l'essence automobile sans plomb, indice d'octane 87 ou plus ((R+M)/2). Elle ne doit pas contenir plus de 10 % d'alcool (E-10).

Remarques concernant l'essence

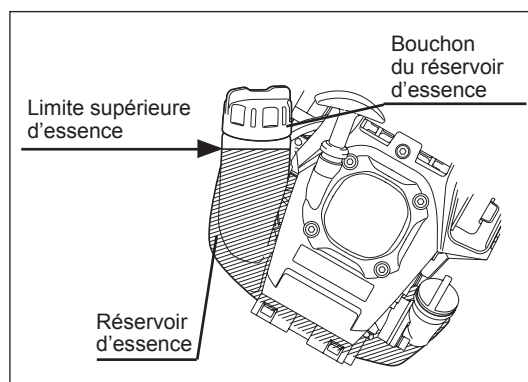
- N'utilisez jamais une essence mélangée avec de l'huile moteur. Cela pourrait entraîner une accumulation excessive de carbone ou des problèmes mécaniques.
- L'utilisation d'une huile altérée entraînera un démarrage difficile.

Remplissage

AVERTISSEMENT : Coupez le moteur avant le remplissage du réservoir, éloignez-vous de toute flamme et ne fumez pas.

Essence utilisée : essence automobile sans plomb, indice d'octane 87 ou plus.
Pas plus de 10 % d'alcool (E-10).

- Desserrez un peu le bouchon du réservoir pour libérer la pression.
 - Retirez le bouchon du réservoir, remplissez ce dernier et évacuez l'air en inclinant le réservoir pour que l'orifice de remplissage soit orienté vers le haut. NE remplissez PAS le réservoir d'essence jusqu'en haut.
 - Essuyez l'extérieur du bouchon du réservoir pour éviter que des débris ne pénètrent à l'intérieur du réservoir d'essence.
 - Après le remplissage, veillez à bien serrer le bouchon du réservoir.
- Si le bouchon du réservoir présente un défaut ou est endommagé, remplacez-le.
 - Le bouchon du réservoir s'use au fil du temps. Remplacez-le tous les deux à trois ans.
 - NE versez PAS d'essence dans l'orifice de remplissage d'huile.



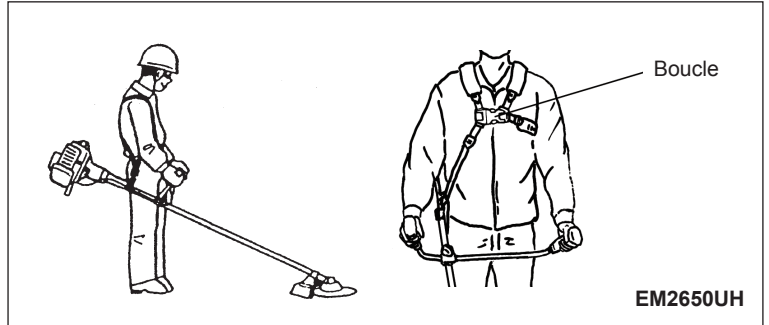
MANIPULATION CORRECTE DE LA MACHINE

Fixation de la sangle d'épaule

- Réglez la longueur de la sangle de façon à ce que la lame de coupe reste parallèle au sol.

Pour le EM2650UH

REMARQUE : Veillez à ne pas coincer de vêtement, etc. dans la boucle.



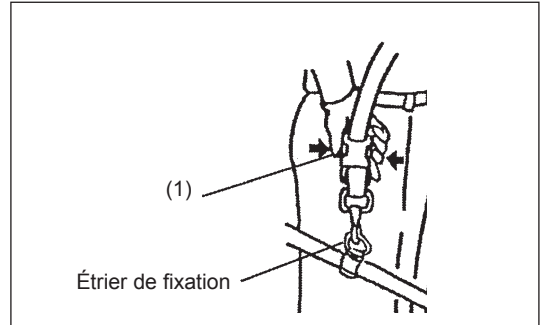
Détachement

Pour le EM2650LH, EM2652LHN (accessoire en option)

- En cas d'urgence, appuyez sur les entailles (1) de chaque côté pour détacher la machine.

Faites très attention à garder le contrôle de la machine à ce moment-là. Ne laissez pas la machine se retourner vers vous ou vers une personne proche de vous.

AVERTISSEMENT : Si le contrôle de la machine venait à vous échapper totalement, vous pourriez vous blesser très grièvement ou même trouver la MORT.

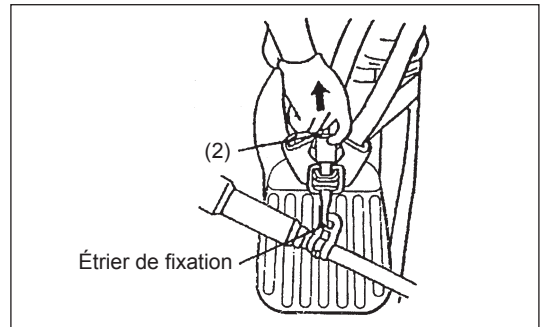


Pour le EM2650UH

- En cas d'urgence, ôtez le levier de libération d'urgence (2) en le tirant fermement avec un doigt.

Faites très attention à garder le contrôle de la machine à ce moment-là. Ne laissez pas la machine se retourner vers vous ou vers une personne proche de vous.

AVERTISSEMENT : Si le contrôle de la machine venait à vous échapper totalement, vous pourriez vous blesser très grièvement ou même trouver la MORT.



REMARQUES CONCERNANT LE FONCTIONNEMENT ET L'ARRÊT DE LA MACHINE

Respectez la réglementation en vigueur sur la prévention des accidents.

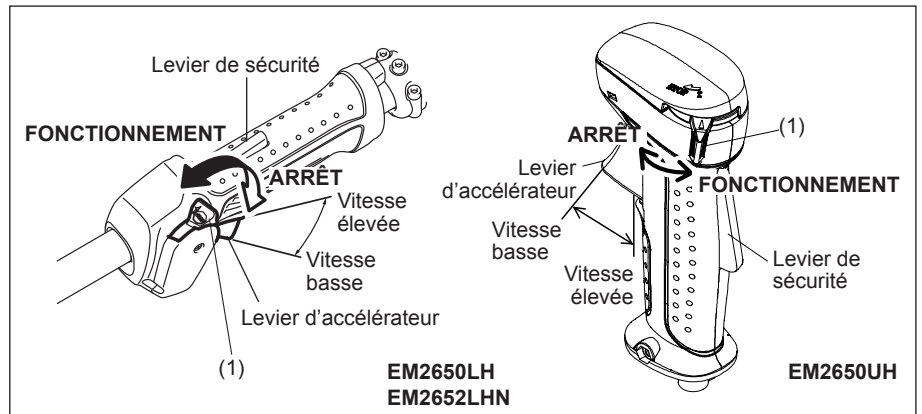


DÉMARRAGE

Allez à au moins 3 mètres du lieu de remplissage du réservoir. Placez la machine sur le sol en veillant à ce que l'outil de coupe n'entre pas en contact avec le sol ou tout autre objet.

A : démarrage à froid

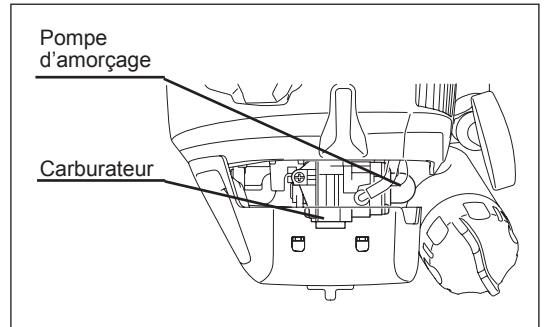
- 1) Posez la machine sur une surface plane.
- 2) Basculez le commutateur marche/arrêt (1) sur FONCTIONNEMENT.



3) Pompe d'amorçage

Continuez à appuyer sur la pompe d'amorçage jusqu'à ce que l'essence pénètre à l'intérieur. (En général, l'essence pénètre dans la pompe d'amorçage après 7 à 10 pressions.)

Si vous appuyez trop sur la pompe d'amorçage, un excédent d'essence retourne dans le réservoir.



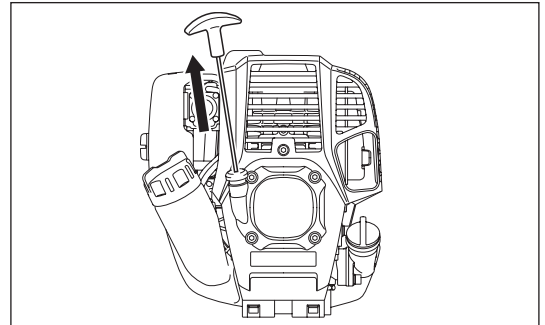
4) Lanceur à rappel

Tirez délicatement sur la poignée de démarrage jusqu'à ce que cela devienne difficile (point de compression). Relâchez la poignée de démarrage puis tirez dessus fermement.

Ne tirez jamais la corde à fond. Une fois la poignée de démarrage tirée, ne la relâchez pas immédiatement. Raccorppez la poignée de démarrage jusqu'à sa position d'origine.

5) Réchauffage

Poursuivez le réchauffage pendant 2 à 3 minutes.



REMARQUE :

- En cas d'admission d'essence excessive (noyage du moteur), retirez la bougie d'allumage et tirez lentement sur la poignée de démarrage afin de supprimer l'excédent d'essence. Vous pouvez aussi sécher l'électrode de la bougie d'allumage.
- Lorsque vous utilisez l'outil avec une lame métallique, n'ouvrez pas complètement l'étrangleur. Utiliser l'outil avec un régime moteur approprié aux lames métalliques (environ 6 000 à 8 500 tr/min) permet d'économiser de l'essence. Par contre, la tête à fils nylon requiert toute la puissance pour une coupe nette.

B : démarrage après le réchauffage

- 1) Appuyez plusieurs fois sur la pompe d'amorçage.
- 2) Maintenez le levier d'accélérateur en fonctionnement de ralenti.
- 3) Tirez fermement sur le lanceur à rappel.
- 4) Si le démarrage du moteur est difficile, ouvrez l'étrangleur d'environ 1/3. Faites attention à la lame de coupe qui peut tourner.

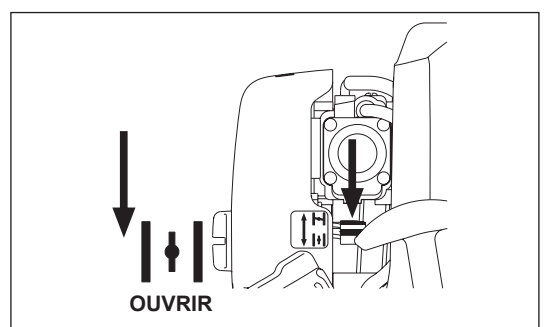
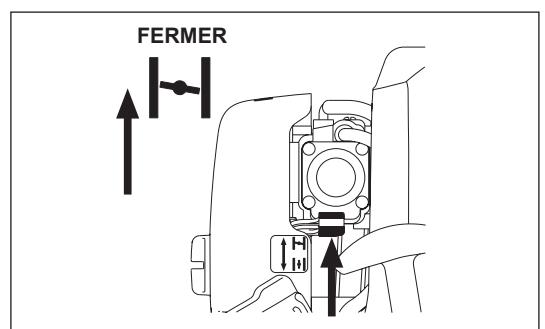
Pendant les périodes, telles que l'hiver, où démarrer le moteur est difficile

Actionnez le levier d'étrangleur de la manière suivante lorsque vous démarrez le moteur.

- Après avoir effectué les étapes de démarrage 1) à 3), basculez le levier d'étrangleur sur FERMER.
- Effectuez l'étape de démarrage 4) et démarrez le moteur.
- Une fois le moteur démarré, basculez le levier d'étrangleur sur OUVRIR.
- Effectuez l'étape de démarrage 5) et terminez le réchauffage.

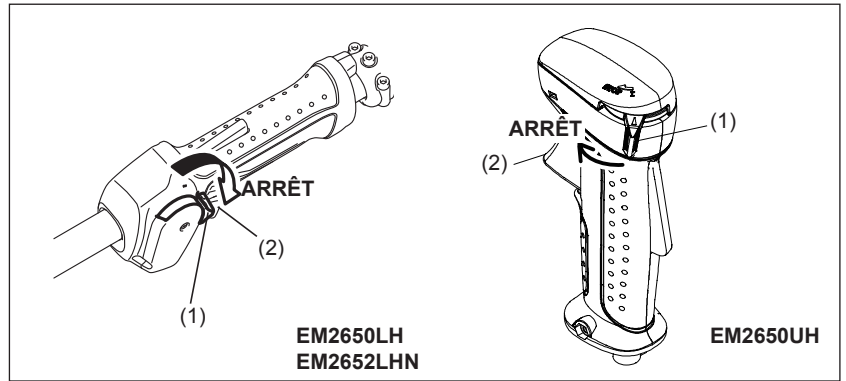
ATTENTION : Si le bruit d'une explosion retentit et le moteur s'arrête, ou si le moteur à peine démarré cale avant que le levier d'étrangleur ne soit actionné, rebasculez le levier d'étrangleur sur OUVRIR et tirez de nouveau sur la poignée de démarrage quelques fois pour démarrer le moteur.

ATTENTION : Si le levier d'étrangleur est laissé sur la position FERMER et la poignée de démarrage seulement tirée plusieurs fois, une quantité excessive d'essence est aspirée et le moteur devient difficile à démarrer.



ARRÊT

- 1) Relâchez complètement le levier d'accélérateur (2), puis une fois que le régime moteur a baissé, basculez le commutateur marche/arrêt (1) sur ARRÊT, cela coupe le moteur.
- 2) La tête de coupe peut ne pas s'arrêter immédiatement, attendez qu'elle s'arrête complètement.

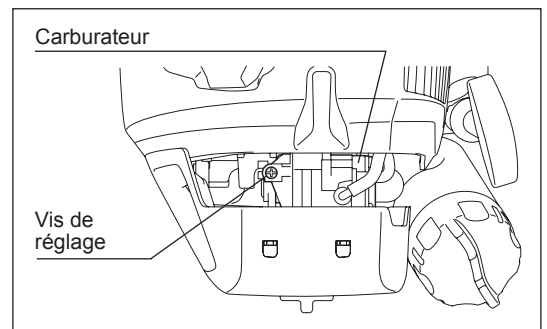


RÉGLAGE DE LA ROTATION À FAIBLE VITESSE (RALENTI)

Si vous devez régler la rotation à faible vitesse (ralenti), utilisez la vis de réglage du carburateur.

VÉRIFICATION DE LA ROTATION À FAIBLE VITESSE

- Réglez la rotation à faible vitesse à 3 000 min⁻¹. S'il est nécessaire de modifier la rotation à faible vitesse (ralenti), réglez la vis de réglage (illustrée à droite) à l'aide d'un tournevis cruciforme.
- Tournez la vis de réglage vers la droite et la vitesse de rotation du moteur augmente. Tournez la vis de réglage vers la gauche et la vitesse de rotation du moteur diminue.
- Le carburateur est généralement réglé avant expédition. Après plusieurs réservoirs d'essence, le régime moteur au ralenti doit être réajusté.

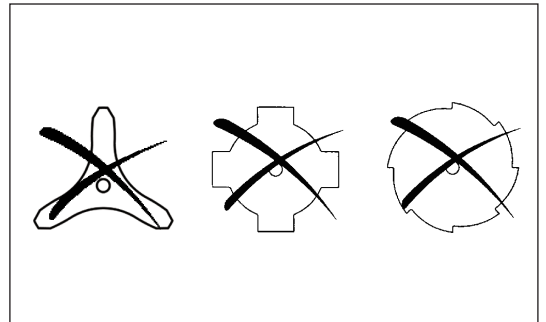


RÉAFFÛTAGE DE L'OUTIL DE COUPE



ATTENTION : Les outils de coupe indiqués sur l'illustration ne doivent pas être affûtés. Le réaffûtage manuel déséquilibrera l'outil de coupe, entraînant vibrations et dommages au niveau de l'équipement.

REMARQUE : Afin de réduire le délai entre deux réparations, vous pouvez retourner la lame de coupe, jusqu'à ce que les deux tranchants soient abîmés.



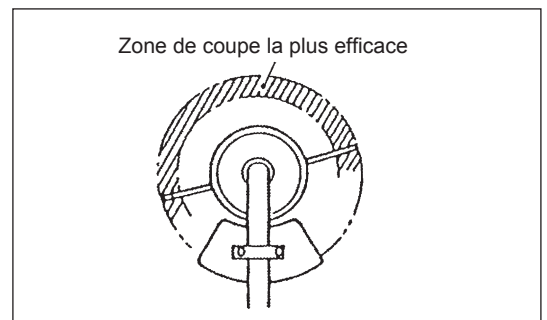
TÊTE À FILS NYLON

La tête de coupe de la débroussailleuse est une tête de coupe à ligne double équipée d'un mécanisme de sélection de longueur de fil.

La tête à fils nylon déploie la longueur de fil nylon adéquate après avoir tapé la tête de coupe au sol en fonction des changements de force centrifuge provoqués par l'augmentation ou la diminution du régime moteur.

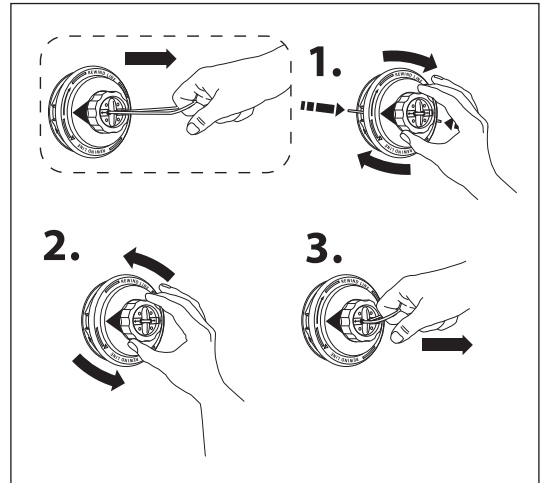
Fonctionnement

- (Pour les modèles EM2650UH et EM2650LH) Augmentez la vitesse de la tête à fils nylon pour qu'elle soit juste inférieure à la pleine puissance. (Pour le modèle EM2652LHN) Augmentez la vitesse de la tête à fils nylon jusqu'à la pleine puissance. Cognez légèrement la tête de coupe au sol.
- La zone de coupe la plus efficace est grisée.
- Si le fil nylon ne se déploie pas, rembobinez/remplacez-le en suivant les procédures décrites dans « Remplacement du fil nylon ».



Remplacement du fil nylon

- Tout d'abord, coupez le moteur.
- Tenez fermement le logement et tournez la bobine dans le sens des aiguilles d'une montre jusqu'à ce que le fil nylon se rétracte dans le logement. Puis tournez en va-et-vient pour relâcher la tension du fil.
- Attrapez la boucle sur la bobine et éloignez-la de la bobine.

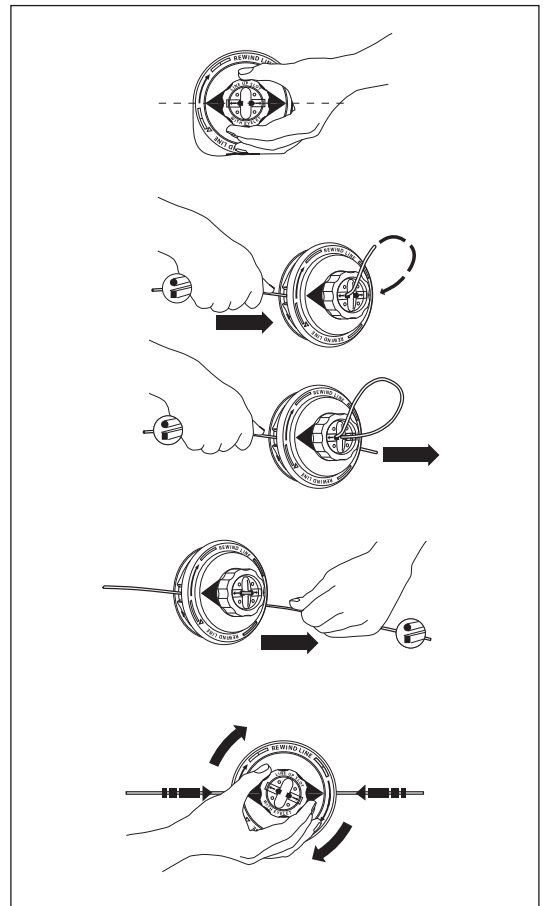


- Préparez un fil nylon avec les spécifications suivantes.
Longueur de 4,5 m (15 ft)
Fil rond d'un diamètre de 2,4 mm (0,095") ou fil carré d'une diagonale de 2,0 mm (0,08").
- Alignez la flèche sur la bobine avec les œillets sur le logement.

- Insérez une extrémité du fil nylon dans l'œillet sur le côté du logement, engagez le fil sur le haut de la bobine et passez-le dans le deuxième trou en haut de la bobine. Enfoncez le fil nylon dans les trous jusqu'à ce que le fil passe dans les œillets sur le côté du logement.

- Enfoncez le fil nylon dans les trous des œillets sur le côté du logement jusqu'à obtenir une longueur égale des deux côtés.

- Tenez fermement le logement et tournez la bobine dans le sens des aiguilles d'une montre pour enrouler le fil nylon dans la bobine.



INSTRUCTIONS D'ENTRETIEN

ATTENTION : Avant d'effectuer tout travail sur l'équipement, coupez toujours le moteur et retirez l'embout de la bougie d'allumage (voir « Vérification de la bougie d'allumage »).
Portez toujours des gants de protection.

Afin de garantir un long délai entre deux réparations et d'éviter tout dommage à l'équipement, effectuez régulièrement les procédures de réparation suivantes.

Vérification et entretien quotidiens

- Avant utilisation, vérifiez s'il y a des vis desserrées ou des pièces manquantes sur la machine. Soyez particulièrement vigilant avec la lame de coupe ou la tête à fils nylon qui doit être bien serrée.
- Vérifiez toujours que les passages d'air de refroidissement et les ailettes du cylindre ne sont pas obstrués avant de démarrer la machine. Nettoyez-les au besoin.
- Effectuez les tâches suivantes quotidiennement après utilisation :
 - Nettoyez l'extérieur de l'équipement et vérifiez qu'il n'a pas été endommagé.
 - Nettoyez le filtre à air. Lorsque vous travaillez dans une atmosphère très poussiéreuse, nettoyez le filtre plusieurs fois par jour.
 - Vérifiez d'éventuels dommages au niveau de la lame de coupe ou de la tête à fils nylon et veillez à ce qu'elles soient correctement montées.
 - Vérifiez que la différence est suffisante entre le ralenti et la vitesse d'embrayage afin de garantir que l'outil de coupe est immobilisé lorsque le moteur est au ralenti (réduire la vitesse de ralenti au besoin).
Si l'outil continue de fonctionner au ralenti, contactez le technicien agréé le plus proche.
- Vérifiez le fonctionnement du commutateur marche/arrêt, du levier de sécurité, du levier d'accélérateur et du bouton de verrouillage.

REMPACEMENT DE L'HUILE MOTEUR

De l'huile moteur détériorée réduit la durée de vie du moteur. Veillez à contrôler l'état de l'huile et son niveau régulièrement.



ATTENTION : En général, le corps du moteur et l'huile moteur restent chauds immédiatement après l'arrêt du moteur. Lorsque vous remplacez l'huile moteur, vérifiez que le corps du moteur et l'huile ont suffisamment refroidi. Sinon, vous risquez de vous brûler.

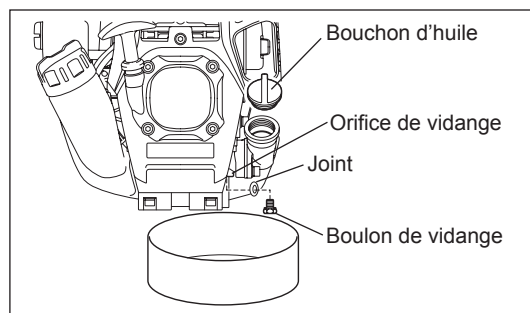
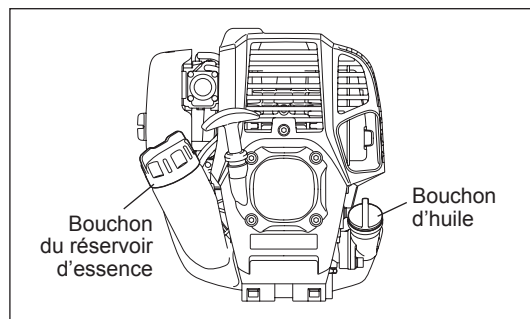
REMARQUE : si vous mettez trop d'huile, elle peut être souillée ou s'enflammer en dégageant une fumée blanche.

Intervalle entre les remplissages : Après les 20 premières heures de fonctionnement, puis toutes les 50 heures de fonctionnement.

Huile recommandée : SAE10W-30 huile de classification API, classe SF ou supérieure (moteur automobile à 4 temps)

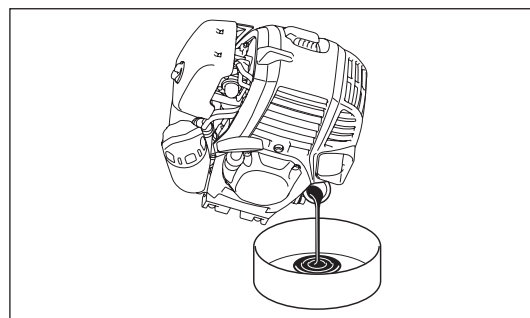
Pour le remplacement, procédez comme suit.

- 1) Assurez-vous que le bouchon du réservoir d'essence est bien serré.
- 2) Placez un grand récipient (cuvette, etc.) sous l'orifice de vidange.
- 3) Retirez le boulon de vidange puis le bouchon d'huile pour vidanger l'huile via l'orifice de vidange. À cette étape, veillez à ne pas perdre le joint du boulon de vidange et à ne pas salir les composants retirés.
- 4) Une fois que l'huile a été vidangée, placez le joint et le boulon de vidange et serrez fermement ce dernier de manière à ce qu'il ne puisse pas se desserrer et causer des fuites.
* Utilisez un chiffon pour essuyer complètement l'huile sur le boulon et l'équipement.

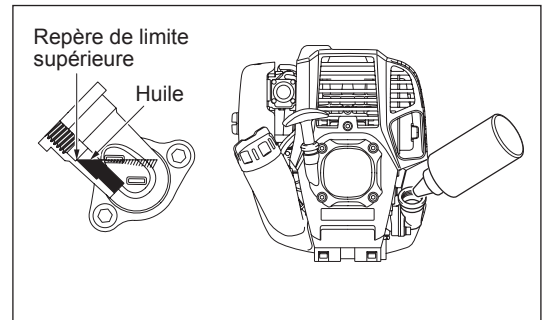
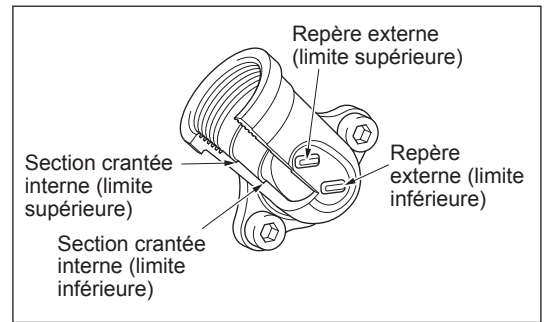


Autre méthode de vidange

Retirez le bouchon d'huile, inclinez l'équipement en direction de l'orifice de remplissage d'huile et vidangez l'huile.
Récupérez l'huile dans un récipient.



- 5) Placez le moteur de niveau et remplissez progressivement jusqu'au repère de limite supérieure avec l'huile neuve.
- 6) Après le remplissage, serrez fermement le bouchon d'huile, de manière à ce qu'il ne puisse pas se desserrer et causer des fuites. Si le bouchon d'huile n'est pas serré fermement, il peut fuir.



REMARQUES CONCERNANT L'HUILE

- Ne déversez jamais l'huile usagée dans une poubelle, sur le sol ou dans une canalisation. La mise au rebut de l'huile usagée est réglementée par la loi. Vous devez vous conformer aux lois et réglementations en vigueur. En cas de doute, contactez un technicien agréé.
- L'huile se détériore même si elle n'est pas utilisée. Procédez fréquemment à une inspection et à un remplacement (remplacez-la tous les 6 mois).

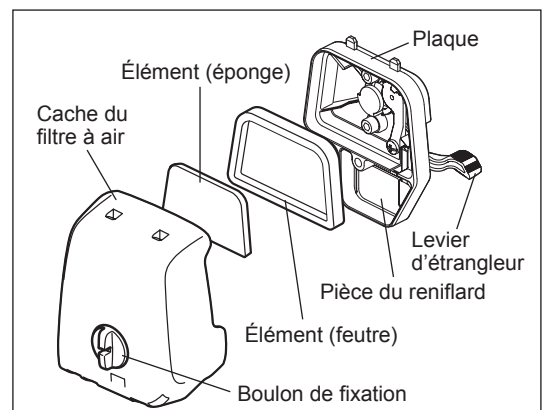
NETTOYAGE DU FILTRE À AIR



AVERTISSEMENT : Coupez le moteur, éloignez-vous de toute flamme et ne fumez pas.

Fréquence de nettoyage et d'inspection : quotidienne (toutes les 10 heures de fonctionnement)

- Fermez complètement le levier d'étrangleur et tenez le carburateur loin de toute poussière ou impureté.
- Desserrez le boulon de fixation.
- Retirez le cache du filtre à air en tirant sur sa partie inférieure.
- Retirez les éléments et tapotez dessus pour enlever les impuretés.
- Si les éléments sont très encrassés : Retirez les éléments, plongez-les dans de l'eau tiède ou de l'eau additionnée d'un détergent neutre, puis séchez-les complètement. Lors du nettoyage, ne les pressez et ne les frottez pas.
- Avant de replacer les éléments, veillez à les sécher complètement. Un séchage insuffisant des éléments peut entraîner des problèmes de démarrage.
- Essuyez l'huile restante autour du cache du filtre à air et de la pièce du reniflard avec un chiffon.
- Insérez le premier élément (éponge) dans l'autre élément (feutre). Insérez ces éléments dans la plaque avec l'éponge face au cache du filtre à air.
- Fixez immédiatement le cache du filtre et serrez-le avec les boulons de fixation. (Lorsque vous le remontez, engagez d'abord la tranche supérieure puis la tranche inférieure.)



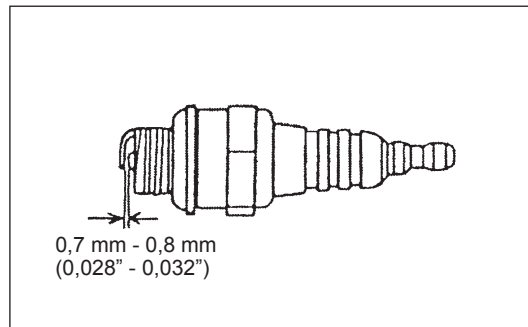
REMARQUE :

- Nettoyez les éléments plusieurs fois par jour, en cas d'adhérence excessive de poussière. Les éléments sales réduisent la puissance du moteur et compliquent le démarrage de celui-ci.
- Retirez l'huile sur les éléments. Si vous continuez à utiliser les éléments sans nettoyer l'huile qui se trouve dessus, l'huile pourrait déborder du filtre à air et contaminer l'environnement.
- Ne posez pas les éléments sur le sol ou dans un endroit sale. Des impuretés ou des débris pourraient se coller dessus et endommager le moteur.
- N'utilisez jamais de carburant pour nettoyer les éléments. Le carburant peut les endommager.

VÉRIFICATION DE LA BOUGIE D'ALLUMAGE

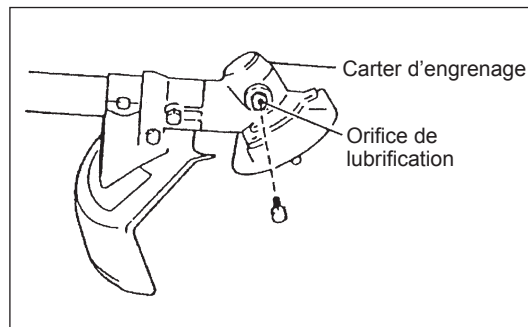
- Utilisez uniquement la clé universelle fournie pour retirer ou installer la bougie d'allumage.
- L'écart entre les deux électrodes de la bougie d'allumage doit être de 0,7 - 0,8 mm (0,028" - 0,032"). Si l'écart est trop important ou pas assez, ajustez-le. Si la bougie d'allumage est obstruée ou encrassée, nettoyez-la bien ou remplacez-la.

ATTENTION : Ne touchez jamais le connecteur de la bougie d'allumage lorsque le moteur fonctionne (danger de choc électrique à haute tension).



LUBRIFICATION DU CARTER D'ENGRENAGE

- Lubrifiez le carter d'engrenage (Shell Alvania 2 ou équivalent) par l'orifice de lubrification toutes les 30 heures. (Le lubrifiant MAKITA est disponible auprès de votre vendeur MAKITA.)



NETTOYAGE DU FILTRE À CARBURANT

AVERTISSEMENT : PRODUITS INFLAMMABLES STRICTEMENT INTERDITS

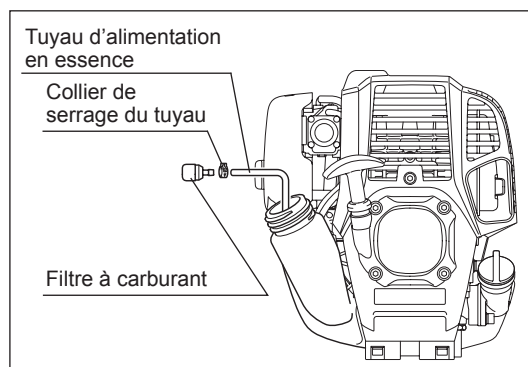
Fréquence de nettoyage et d'inspection : mensuelle (toutes les 50 heures de fonctionnement)

Hauteur d'aspiration dans le réservoir d'essence

Vérifiez le filtre à carburant périodiquement. Pour contrôler le filtre à carburant, suivez les étapes ci-dessous.

- (1) Retirez le bouchon du réservoir d'essence, vidangez l'essence pour vider le réservoir. Vérifiez l'intérieur du réservoir pour voir s'il reste des substances étrangères. Si c'est le cas, retirez-les.
- (2) Tirez la hauteur d'aspiration à l'aide d'un crochet métallique par l'orifice du réservoir.
- (3) Si le filtre à carburant est un peu obstrué, nettoyez-le. Pour cela, secouez-le et tapotez-le doucement dans le carburant. Pour éviter tout endommagement, ne le pressez et ne le frottez pas. Le carburant utilisé pour le nettoyage doit être mis au rebut selon la méthode spécifiée par la loi en vigueur dans votre pays.
Si le filtre à carburant devient dur ou est trop obstrué, remplacez-le.
- (4) Après le contrôle, le nettoyage ou le remplacement, appuyez sur le filtre à carburant pour le mettre en place en bas du réservoir d'essence.

Un filtre à carburant obstrué ou endommagé peut entraîner une alimentation en essence insuffisante et réduire la puissance du moteur. Remplacez le filtre à carburant au moins tous les trois mois afin de garantir une bonne arrivée d'essence dans le carburateur.



REMPACEMENT DU TUYAU D'ALIMENTATION EN ESSENCE

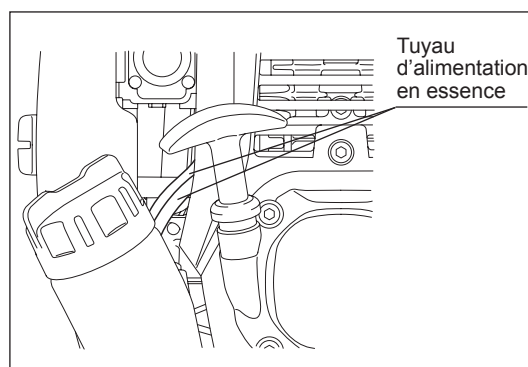
ATTENTION : PRODUITS INFLAMMABLES STRICTEMENT INTERDITS

Fréquence de nettoyage et d'inspection : quotidienne (toutes les 10 heures de fonctionnement)

Remplacement : annuelle (toutes les 200 heures de fonctionnement)

Remplacez chaque année le tuyau d'alimentation en essence, indépendamment de la fréquence de fonctionnement. Une fuite d'essence peut provoquer un embrasement.

Si vous détectez une fuite lors de l'inspection, remplacez immédiatement le tuyau d'alimentation en essence.



INSPECTION DES BOULONS, ÉCROUS ET VIS

- Resserrez les boulons, écrous, etc. desserrés.
- Vérifiez que les bouchons du réservoir d'essence et d'huile sont bien serrés. Vérifiez d'éventuelles fuites d'essence et d'huile.
- Remplacez les pièces endommagées pour un fonctionnement en toute sécurité.

NETTOYAGE DES PIÈCES

- Gardez toujours le moteur propre.
- Veillez à ce que les ailettes du cylindre ne soient pas salies par de la poussière ou des impuretés. La poussière ou les impuretés adhérant aux ailettes entraîneront un grippage du piston.

REMPACEMENT DES JOINTS ET GARNITURES

Lorsque vous réassemblez le moteur, veillez à replacer les joints et les garnitures.

Tout entretien ou réglage non mentionné et décrit dans le présent manuel ne doit être effectué que par un technicien agréé.

ENTREPOSAGE

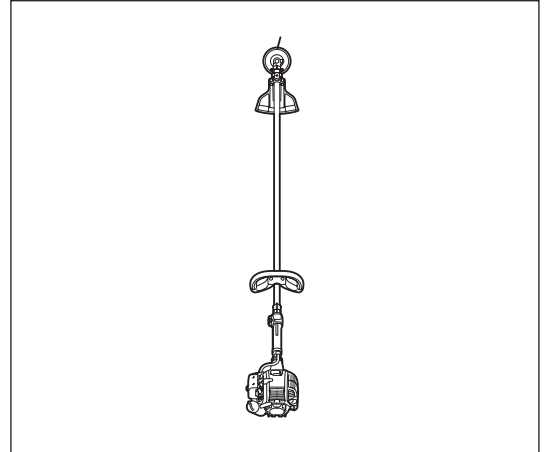


AVERTISSEMENT : Pour vidanger l'essence, coupez le moteur et attendez qu'il refroidisse. Le moteur reste chaud après l'arrêt, il y a des risques de brûlures et d'embrassement.



ATTENTION : Lorsque la machine demeure inutilisée pendant une période prolongée, vidangez entièrement le réservoir d'essence et le carburateur, puis entreposez-les dans un endroit propre et sec.

- Vidangez le réservoir d'essence et le carburateur en procédant comme suit :
 - 1) Retirez le bouchon du réservoir d'essence et vidangez totalement le réservoir.
Retirez tout matériau étranger resté éventuellement dans le réservoir.
 - 2) Ôtez le filtre à carburant par l'orifice de remplissage à l'aide d'un câble.
 - 3) Appuyez sur la pompe d'amorçage jusqu'à ce que l'essence soit vidangée puis vidangez l'essence entrant dans le réservoir.
 - 4) Placez le filtre sur le réservoir d'essence et serrez bien le bouchon du réservoir.
 - 5) Puis continuez à faire fonctionner le moteur jusqu'à ce qu'il s'arrête.
- Retirez la bougie d'allumage et versez quelques gouttes d'huile moteur dans l'orifice de la bougie.
- Tirez doucement sur la poignée de démarrage pour que l'huile moteur se répande dans le moteur, et placez la bougie d'allumage.
- Fixez le cache de la lame de coupe.
- Lorsque vous entreposez la machine, maintenez la tige à l'horizontale ou la machine à la verticale avec le bord de la lame orienté vers le haut. (Dans ce cas, veillez à ce que la machine ne tombe pas.)
N'entreposez jamais la machine avec le bord de la lame de coupe orienté vers le bas.
L'huile de graissage peut déborder.
- Conservez l'essence vidangée dans un conteneur spécial, dans un endroit ombragé et bien ventilé.



Attention après un entreposage de longue durée

- Avant de démarrer la machine après un arrêt prolongé, veillez à remplacer l'huile (reportez-vous à la page 41). L'huile se détériore lorsque la machine demeure inutilisée.

Emplacement des défaillances

Défaillance	Système	Observation	Cause
Le moteur ne démarre pas ou difficilement	Système d'allumage	L'allumage produit une étincelle (ce qui est normal). Pas d'allumage	Défaillance au niveau de l'alimentation en essence ou du système de compression, défaut mécanique Commutateur basculé sur ARRÊT, défaut de câblage ou court-circuit, bougie d'allumage ou connecteur défectueux, module d'allumage défectueux
	Alimentation en essence	Réservoir plein	Position d'étranglement incorrecte; carburateur défectueux; tuyau d'alimentation en carburant plié ou obstrué; carburant encrassé.
	Compression	Aucune compression au démarrage.	Joint inférieur du cylindre défectueux; joints du vilebrequin endommagés; garnitures du cylindre ou du piston endommagées; mauvaise étanchéité de la bougie d'allumage.
	Défaut mécanique	Démarrateur non engagé	Ressort du démarreur cassé, pièces cassées à l'intérieur du moteur
Problèmes de démarrage à chaud		Réservoir plein, allumage correct	Carburateur encrassé, doit être nettoyé
Le moteur démarre mais se coupe ensuite	Alimentation en essence	Réservoir plein	Réglage du ralenti incorrect, carburateur encrassé Évent du réservoir d'essence défectueux, tuyau d'alimentation en essence sectionné, défaut de câblage ou commutateur basculé sur ARRÊT
Performances insuffisantes	Plusieurs systèmes peuvent être concernés	Faible vitesse de rotation à vide	Filtre à air encrassé, carburateur encrassé, silencieux obstrué, tuyau d'échappement du cylindre obstrué

Élément	Temps de fonctionnement								
		Avant fonctionnement	Après lubrification	Quotidien (10 h)	30 h	50 h	200 h	Arrêt/pause	P correspondante
Huile moteur	Inspecter	○							35
	Remplacer					○*1			41
Serrage des pièces (boulon, écrou)	Inspecter	○							43
Réservoir d'essence	Nettoyer/Inspecter	○							—
	Vidange de l'essence							○*3	44
Levier d'accélérateur	Vérifier fonctionnement		○						—
Commutateur d'arrêt	Vérifier fonctionnement		○						39
Lame de coupe	Inspecter	○		○					33
Rotation à faible vitesse	Inspecter/Régler			○					39
Filtre à air	Nettoyer			○					42
Bougie d'allumage	Inspecter			○					43
Tuyau d'air de refroidissement	Nettoyer/Inspecter			○					43
Tuyau d'alimentation en essence	Inspecter			○					43
	Remplacer						◎*2		—
Lubrification du carter d'engrenage	Remplir				○				43
Filtre à carburant	Nettoyer/Remplacer					○			43
Écart entre la valve d'admission d'air et la valve d'évacuation d'air	Ajuster						◎*2		—
Révision du moteur							◎*2		—
Carburateur	Vidange de l'essence							○*3	44

*1 Procédez à un premier remplacement après 20 heures de fonctionnement.

*2 Pour l'inspection des 200 heures de fonctionnement, consultez un technicien agréé ou un vendeur.

*3 Après la vidange du réservoir d'essence, continuez à faire fonctionner le moteur et vidangez l'essence du carburateur.

DÉPANNAGE

Avant de demander une réparation, procédez vous-même à une vérification. En cas d'anomalie, contrôlez votre machine conformément à la description du présent manuel. Ne modifiez ni de démontez jamais une pièce d'une autre façon. Pour les réparations, contactez un technicien agréé ou un détaillant.

Anomalie	Cause probable (dysfonctionnement)	Solution
Le moteur ne démarre pas	Impossible d'actionner la pompe d'amorçage	Appuyez de 7 à 10 fois
	Vitesse insuffisante de tirage de la corde du lanceur	Tirez fermement
	Pas assez de carburant	Ajoutez du carburant
	Filtre à carburant obstrué	Nettoyez
	Tuyau de carburant sectionné	Remplacer
	Carburant détérioré	L'essence usagée perturbe le démarrage. Remplacez-la. (Remplacement recommandé : chaque mois)
	Aspiration de carburant excessive	Basculez la manette des gaz de la vitesse moyenne à la grande vitesse, puis tirez le lanceur jusqu'au démarrage du moteur. Une fois le moteur démarré, la rotation de la lame de coupe commence. Faites très attention à la lame de coupe. Si le moteur ne démarre toujours pas, retirez la bougie d'allumage, séchez l'électrode, puis réinsérez la bougie. Démarrez ensuite comme indiqué.
	Embout de la bougie détaché	Fixez-le fermement
	Bougie d'allumage encrassée	Nettoyez
	Écartement anormal des électrodes de la bougie d'allumage	Réglez l'écartement des électrodes
	Autre anomalie de la bougie d'allumage	Remplacez
	Anomalie du carburateur	Demandez une inspection et un entretien.
	Impossible de tirer la corde du lanceur	Demandez une inspection et un entretien.
	Anomalie du système d'entraînement	Demandez une inspection et un entretien.
Le moteur s'arrête rapidement La vitesse du moteur n'augmente pas	Réchauffage insuffisant	Réchauffez le moteur
	Levier d'étrangleur basculé sur « FERMER » même si le moteur est réchauffé.	Basculez sur « OUVRIR »
	Filtre à carburant obstrué	Nettoyer ou remplacer
	Filtre à air encrassé ou obstrué	Nettoyez
	Anomalie du carburateur	Demandez une inspection et un entretien.
	Anomalie du système d'entraînement	Demandez une inspection et un entretien.
La lame de coupe ne tourne pas ↓ Arrêt immédiat du moteur	Écrou de serrage de la lame de coupe desserré	Resserrez le boulon fermement
	Brindilles prises dans la lame de coupe ou dans le capot anti-projection.	Retirez le corps étranger
	Anomalie du système d'entraînement	Demandez une inspection et un entretien.
Le corps de l'outil vibre de façon anormale ↓ Arrêt immédiat du moteur	Lame de coupe brisée, tordue ou usée	Remplacez la lame de coupe
	Écrou de serrage de la lame de coupe desserré	Resserrez le boulon fermement
	Ajustage de la pièce convexe de la lame de coupe décalée et du support de la lame de coupe.	Fixez-les fermement
	Anomalie du système d'entraînement	Demandez une inspection et un entretien.
La lame de coupe ne s'arrête pas immédiatement ↓ Arrêt immédiat du moteur	Vitesse de rotation à vide trop élevée	Ajustez
	Câble de l'étrangleur détaché	Fixez-le fermement
	Anomalie du système d'entraînement	Demandez une inspection et un entretien.
Le moteur ne s'arrête pas ↓ Faire fonctionner le moteur au ralenti et basculer le levier d'étrangleur sur FERMER	Connecteur détaché	Fixez-le fermement
	Anomalie du système électrique	Demandez une inspection et un entretien.

Si le moteur ne démarre pas après le réchauffage :

Si vous ne trouvez aucune anomalie après vérification, ouvrez l'étrangleur d'environ 1/3 et démarrez le moteur.

Muchas gracias por la adquisición de su equipo motorizado MAKITA para uso en exteriores. Nos complace recomendarle nuestro producto MAKITA, el cual es el resultado de un gran programa de desarrollo y de muchos años de conocimiento y experiencia.

Por favor lea este folleto el cual refiere en detalle los varios puntos que se demostrarán sobre su sobresaliente desempeño. Esto le ayudará a obtener un óptimo resultado en el uso de su equipo MAKITA.



Índice	Página
Símbolos.....	47
Instrucciones de seguridad.....	48
Especificaciones técnicas.....	52
Identificación de las piezas.....	53
Colocación del mango.....	54
Combinación aprobada de pieza cortadora, protector, mango y arnés.....	55
Colocación del protector.....	56
Colocación de la cuchilla cortadora o cabeza cortadora de nailon.....	57
Antes de iniciar la operación.....	58
Manejo correcto del equipo.....	60
Puntos en la operación y cómo detener la operación.....	60
Reafilado de la pieza cortadora.....	62
Instrucciones de servicio.....	64
Almacenamiento.....	67

SÍMBOLOS

Durante la consulta de este manual de instrucciones observará el uso de los siguientes símbolos.

	<p>¡Lea el manual de instrucciones y observe las advertencias y precauciones de seguridad!</p>		<p>¡Conserve el área de operación despejada de personas y mascotas!</p>
	<p>¡Tenga particular cuidado y atención!</p>		<p>¡Use casco protector, así como equipo protector para los ojos y los oídos!</p>
	<p>¡Prohibido!</p>		<p>Velocidad máxima permitida de la herramienta</p>
	<p>¡Mantenga una distancia prudente!</p>		<p>Combustible (Gasolina)</p>
	<p>¡Peligro de objeto volador!</p>		<p>Encendido manual del motor</p>
	<p>¡No fumar!</p>		<p>Paro de emergencia</p>
	<p>¡No exponer al fuego!</p>		<p>Primeros auxilios</p>
	<p>¡Se debe usar guantes protectores!</p>		<p>ENCENDIDO / INICIAR</p>
	<p>Use botas resistentes con suelas antiderrapantes. ¡Se recomienda el uso de bota de seguridad con punta de acero!</p>		<p>APAGADO / PARAR</p>
	<p>¡Retroceso brusco!</p>		

INSTRUCCIONES DE SEGURIDAD

Instrucciones generales

- Lea este manual de instrucciones para familiarizarse con el manejo del equipo. Los usuarios sin suficiente conocimiento se arriesgarán así mismos y a otras personas poniéndose en una situación de peligro debido a un manejo inadecuado.
- Se recomienda sólo prestar el equipo a personas que cuenten con experiencia demostrada. Siempre incluya el manual al prestar el equipo.
- Los usuarios primerizos deberán solicitar instrucciones básicas en el manejo con su distribuidor para familiarizarse con el manejo de una cortadora motorizada.
- No se debe permitir a los niños ni a las personas menores de 18 años usar este equipo. Sin embargo, las personas mayores de 16 años podrán usar la herramienta con fines de entrenamiento mientras estén bajo la supervisión de un instructor calificado.
- Use con máxima precaución y atención.
- Opere el equipo sólo si se encuentra en buena condición física. Realice todo el trabajo tranquila y cuidadosamente. El usuario tiene que aceptar la obligación de responsabilidad por los demás.
- Nunca utilice este equipo tras haber consumido bebidas con alcohol, drogas o fármacos, ni cuando se sienta cansado o enfermo.
- La reglamentación de las leyes nacionales puede restringir el uso de la herramienta.

Uso intencionado de la herramienta

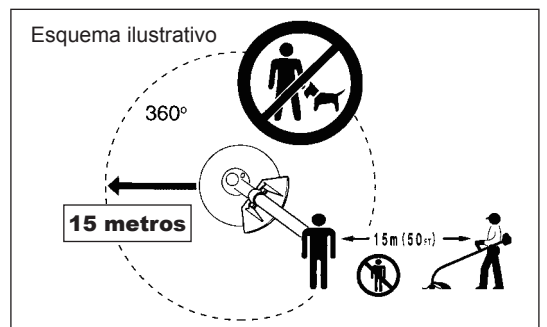
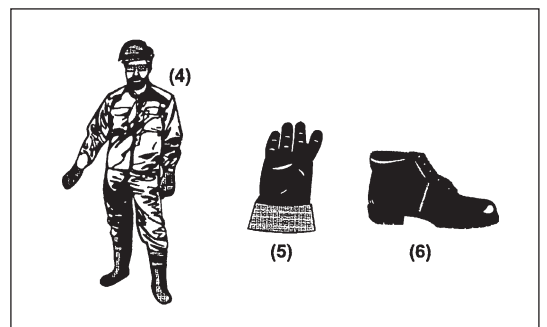
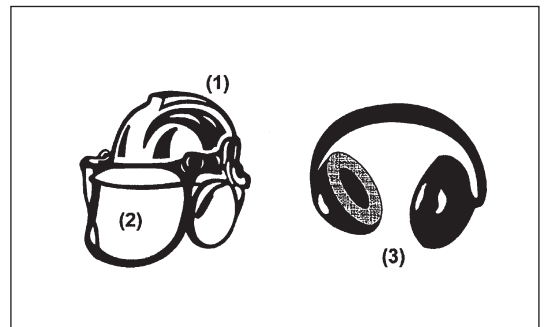
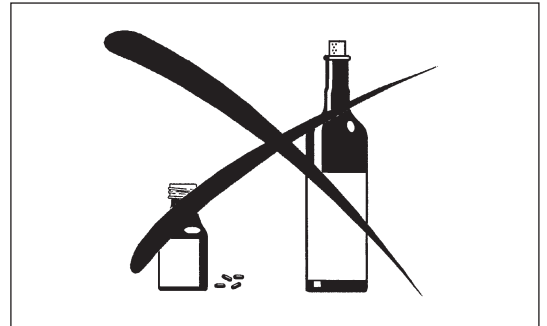
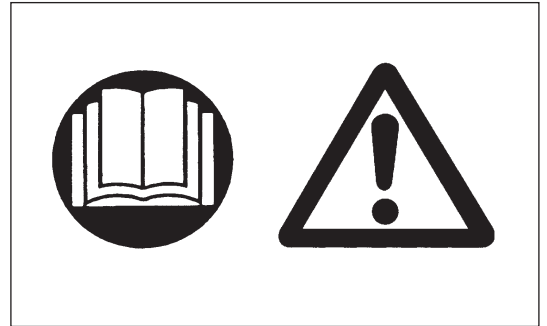
- Este equipo está diseñado para cortar césped, maleza, arbustos, cizaña. No deberá usarse para ningún otro propósito como el reborde o podar cercos de setos, lo cual puede que resulte en lesiones.

Equipo protector personal

- La vestimenta a ser usada debe ser funcional y adecuada, es decir, debe quedar ajustada pero sin que estorbe. Evite el uso de joyas o prendas de vestir que podrían enredarse con las ramas o arbustos.
- Para evitar lesiones ya sea en la cabeza, ojos, manos o pies, así como para proteger su audición, se requiere el uso del siguiente equipo protector y prendas protectoras durante la operación.
- Use siempre casco en donde haya riesgo de caída de objetos. El casco protector (1) debe ser revisado durante intervalos periódicos para ver si tiene daños y debe reemplazarse a los 5 años a más tardar. Use sólo cascos protectores aprobados.
- El visor (2) del casco (o gafas protectoras como alternativa) protege la cara del arrojamiento de piedras y otros residuos. Use siempre gafas protectoras o visor para evitar lesiones en los ojos durante la operación.
- Use equipo adecuado de protección auditiva para evitar daño auditivo (orejeras (3), tapones para los oídos, etc.).
- Los overoles de trabajo (4) ofrecen protección contra piedras y residuos que se arrojen durante la operación. Recomendamos firmemente que el operador use overol de trabajo.
- Los guantes (5) forman parte del equipo prescrito y deben usarse siempre durante la operación.
- Al usar el equipo, use siempre calzado resistente (6) con suela antiderrapante. Esto le protegerá de lesiones y asegura que pise firmemente.

Encendido de la desbrozadora

- Asegúrese que no haya niños ni otras personas en un rango de 15 metros (50 pies), y también ponga atención de que no haya animales alrededor del área de trabajo.
- Antes de usar la herramienta, revísela siempre para una operación segura: Verifique la seguridad de la pieza cortadora, la activación sencilla de la palanca de aceleración, así como el funcionamiento adecuado del bloqueo de la palanca de aceleración.
- La rotación de la pieza cortadora durante la velocidad de marcha pasiva no es permitida. Consulte con su distribuidor para un ajuste en caso de tener duda. Revise que los mangos estén limpios y secos, y pruebe el funcionamiento del interruptor de activación.

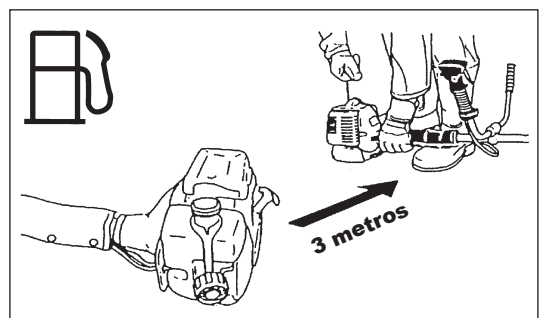
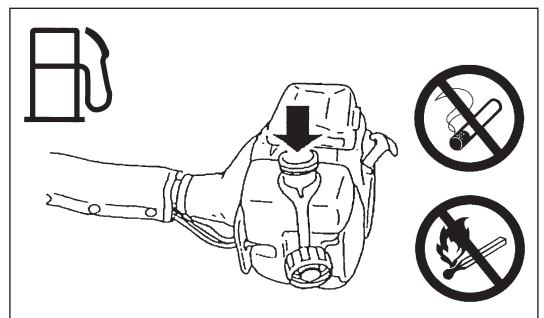
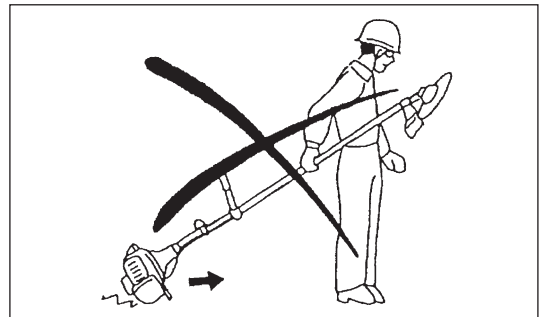
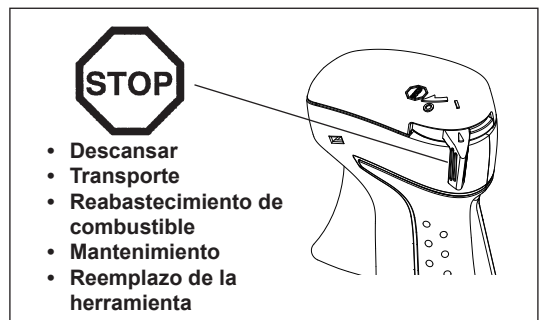
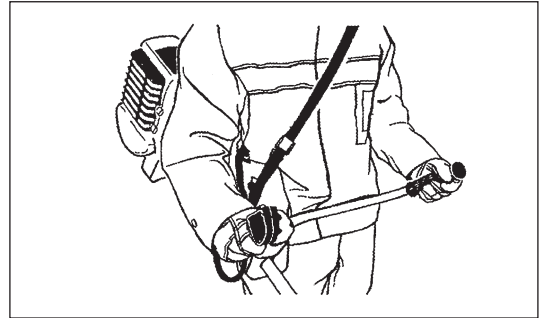
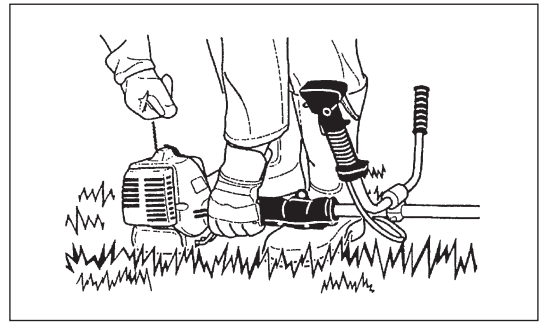


Encienda la desbrozadora sólo como se describe en las instrucciones.

- ¡No utilice ningún otro método para arrancar el motor!
- Use la desbrozadora y las herramientas sólo para las aplicaciones para las que fueron diseñadas.
- Sólo arranque el motor tras haber realizado el ensamble completo del equipo. ¡La operación de la herramienta sólo se debe permitir tras la colocación de los accesorios según corresponda!
- Antes de arrancar el motor asegúrese que la pieza cortadora no esté haciendo contacto con objetos duros como ramas, piedras, etc. ya que esto podría ocasionar rotación de la herramienta al iniciarse.
- El motor debe apagarse de inmediato en caso de cualquier problema con el mismo.
- En caso de que la herramienta golpee piedras u otros objetos duros, apague el motor de inmediato y haga una inspección de la pieza cortadora.
- Inspeccione la pieza cortadora durante intervalos periódicos frecuentes para revisar si hay daños (finos agrietamientos que pueden identificarse mediante la prueba de sonido mediante golpeteos).
- Use el equipo sólo con la correa de hombro colocada, la cual debe ajustarse adecuadamente antes de poner la desbrozadora en operación. Es esencial ajustar la correa de hombro de acuerdo al tamaño del usuario para prevenir el cansancio durante la operación. Nunca sostenga la herramienta con una mano durante la operación.
- Durante la operación, sujete siempre la desbrozadora con ambas manos. Siempre asegúrese de pisar firmemente.
- Use el equipo de tal forma que evite la inhalación de los gases de escape. Nunca active el motor en lugares cerrados (riesgo de intoxicación). El monóxido de carbono es un gas inoloro.
- Apague el motor al estar tomando un descanso, así como al no tener su atención sobre el equipo, y colóquelo en un lugar seguro para prevenir peligros para otras personas o daños para el equipo en sí.
- Nunca coloque la desbrozadora cuando esté caliente sobre el césped ni sobre materiales que pudieran prender fuego.
- La pieza cortadora está equipada con su protector apropiado. ¡Nunca accione la pieza cortadora sin este protector!
- Todos los aditamentos de protección incluidos con la herramienta deben usarse durante la operación del equipo.
- Nunca accione el motor con un mofle de escape defectuoso.
- Apague el motor mientras desplaza la herramienta de un lugar a otro.
- Durante el transporte de la herramienta por grandes distancias, se deberá usar siempre la protección incluida con el equipo.
- Asegure una posición segura del equipo durante su transportación en un vehículo para evitar fugas del combustible.
- Al transportar el equipo, asegúrese de que el tanque de combustible se encuentre completamente vacío.
- Al descargar el equipo del vehículo, nunca deje caer el motor ya que podría dañarse el tanque de combustible severamente.
- Salvo en caso de emergencia, nunca deje caer ni arroje el equipo al suelo ya que podría dañarse severamente.
- Recuerde levantar el equipo por completo del suelo al moverlo de lugar. Arrastrar el tanque de combustible es altamente peligroso y puede causar daños y fuga de combustible, y posiblemente un incendio.

Resuministro de combustible

- Apague el motor al estar reabasteciendo el combustible, así mismo manténgase alejado de llamas y no fume.
- Evite el contacto de la piel con productos de aceite mineral. No inhale los vapores o emisiones del combustible. Use siempre guantes protectores durante el reabastecimiento de combustible. Cambie y limpie la vestimenta protectora de forma periódica.
- Tenga la precaución de no derramar combustible ni aceite para prevenir la contaminación del suelo (protección ambiental). Limpie la desbrozadora de inmediato tras un derrame de combustible.
- Evite cualquier contacto del combustible con su vestimenta. Cambie su vestimenta de inmediato si se ha derramado combustible en ella (para evitar el riesgo de incendio).
- Inspeccione la tapa del depósito de combustible de forma periódica para asegurarse que quede bien sellada al cerrar y que no tenga fugas.
- Apriete a conciencia la tapa del tanque de combustible. Cambie de lugar para arrancar el motor (al menos a 3 metros de donde reabasteció el combustible).
- Nunca reabastezca el combustible en lugares cerrados. Las emisiones pueden acumularse al nivel del suelo (riesgo de explosión).
- Transporte y almacene el combustible solamente en contenedores diseñados para ello. Asegúrese de que el combustible almacenado no esté al alcance de los niños.



Método de operación

- Use sólo en condiciones de buena iluminación y visibilidad. Durante la época invernal, tenga especial cuidado con las áreas resbalosas y mojadas, así como con el hielo y la nieve (riesgo de resbalones). Siempre asegúrese de pisar suelo firme.
- Nunca corte por encima de la altura de su cintura.
- Nunca use al estar sobre andamios o escaleras.
- Nunca trepe los árboles para realizar una operación de corte.
- No trabaje nunca sobre superficies inestables.
- Despeje el área quitando la arena, las piedras, los clavos, etc. que encuentre dentro del rango trabajo.
Las partículas de materiales ajenos pueden dañar la pieza cortadora y causar retrocesos bruscos peligrosos.
- Tiene que permitir que la pieza cortadora alcance velocidad completa antes de comenzar a cortar.
- Al usar cuchillas metálicas, oscile la herramienta con movimientos semicirculares uniformes de derecha a izquierda, como al usar una segadera, hoz o guadaña.

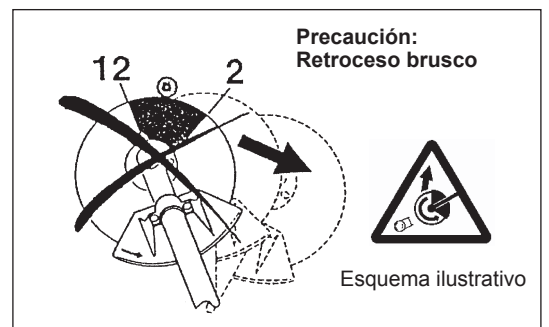


Piezas cortadoras

- Use la pieza cortadora que corresponda con la operación a ser realizada. Las cabezas cortadoras de nailon (cordón de nailon) son apropiadas para hacer recortes en el césped. Las cuchillas metálicas son apropiadas para cortar maleza, césped muy tupido, arbustos, broza, cizaña, matorrales y similares.
- Al usar cuchillas metálicas, use siempre protector, mango (con barra delimitadora) y arnés aprobados para uso con cuchillas metálicas. De lo contrario, puede que ocurran graves lesiones con el contacto con la cuchilla. Refiérase a la sección “Combinación aprobada de pieza cortadora, protector, mango y arnés”.
- Al usar cuchillas metálicas, evite el “retroceso brusco” y esté siempre preparado para un retroceso brusco accidental. Refiérase a las secciones “Retrocesos bruscos” y “Prevención de retrocesos bruscos”.

Retrocesos bruscos

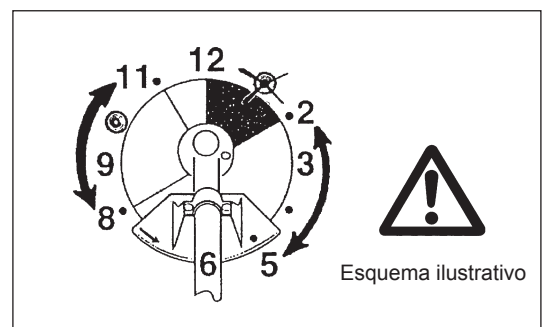
- Puede que se generen retrocesos bruscos de forma descontrolada al estar operando la desbrozadora.
- Esto sucede particularmente cuando se intenta colocar de la cuchilla cortadora a un ángulo que en un reloj se ilustraría que quedaría entre las 12 y las 2 en punto.
- Nunca aplique la desbrozadora dentro de un segmento angular visualizado entre las 12 y las 2 en punto.
- Nunca aplique este ángulo con de la cuchilla cortadora de la desbrozadora en materiales gruesos como ramas y árboles entre otros, ya que al tener un diámetro mayor a los 3 cm la desbrozadora se vería desviada por una gran fuerza, lo cual generaría un riesgo de lesiones.



Prevención de retrocesos bruscos

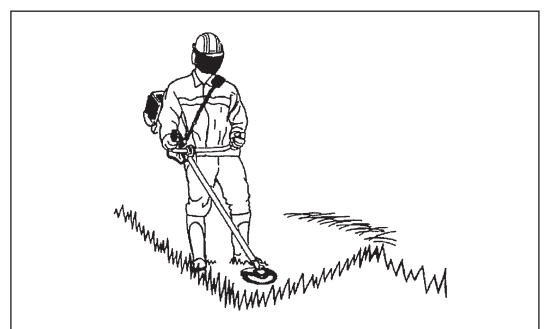
Para evitar retrocesos bruscos, siga las siguientes indicaciones:

- Aplicar un ángulo dentro del segmento que en un reloj se representaría entre las 12 y 2 en punto impone un peligro, especialmente al usar cuchillas metálicas.
- Los cortes a un ángulo que en un reloj se representaría entre las 11 y 12 en punto, así como entre las 2 y 5 en punto, deben realizarse por un usuario experimentado y sólo bajo su propio riesgo.
El corte sencillo casi sin un potencial de retrocesos bruscos se obtiene con un ángulo que en un reloj se representaría entre las 8 y 11 en punto.



Instrucciones de mantenimiento

- La condición de la herramienta, en particular de la pieza cortadora, de los dispositivos protectores y también de la correa de hombro deben revisarse antes de comenzar cualquier trabajo. Se requiere dar especial atención a las cuchillas cortadoras las cuales deben estar afilados adecuadamente.
- Apague el motor y quite la bujía de encendido de su enchufe al reemplazar o afilar las herramientas de corte, al igual que al limpiar la herramienta o la pieza cortadora.



Nunca trate de enderezar o doblar las piezas cortadoras dañadas.

- Tenga consideración con el entorno. Evite la operación innecesaria del acelerador para una menor emisión de contaminantes y ruido. Ajuste correctamente el carburador.
- Limpie el equipo periódicamente y revise que todas las tuercas y tornillos estén bien apretados.
- Nunca dé servicio ni almacene el equipo en cercanía de las llamas de algún fuego.
- Almacene siempre el equipo en lugares bajo llave y con el tanque de combustible vacío.



Siga las indicaciones relevantes para la prevención de accidentes emitidas por las asociaciones comerciales competentes y compañías aseguradoras.

No haga ninguna modificación sobre el equipo puesto que esto pondría en riesgo su seguridad.

Llevar a cabo el servicio de mantenimiento o reparación por el usuario se limita a aquellas actividades que aparecen descritas en el manual de instrucciones. Todo lo demás debe ser realizado por un agente de servicio autorizado. Use sólo piezas de repuesto y accesorios originales que sean suministrados y comercializados por MAKITA.

El uso de accesorios y herramientas no aprobados implica un aumento del riesgo de accidentes.

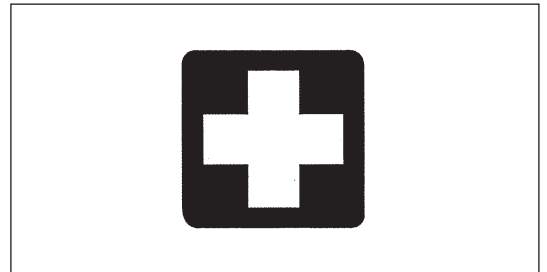
MAKITA no aceptará responsabilidad alguna por accidentes o daños causados por el uso de piezas de corte y aditamentos no aprobados, ni por los accidentes al fijar las piezas de corte o accesorios.

Primeros auxilios

En caso de accidentes, asegúrese de contar con un botiquín de primeros auxilios a su alcance durante las operaciones de corte. Reponga inmediatamente cualquier artículo que haya utilizado de su botiquín.

Al solicitar ayuda, por favor proporcione la siguiente información:

- Lugar del accidente
- Lo sucedido
- Número de personas lesionadas
- Tipo de lesiones
- Su nombre



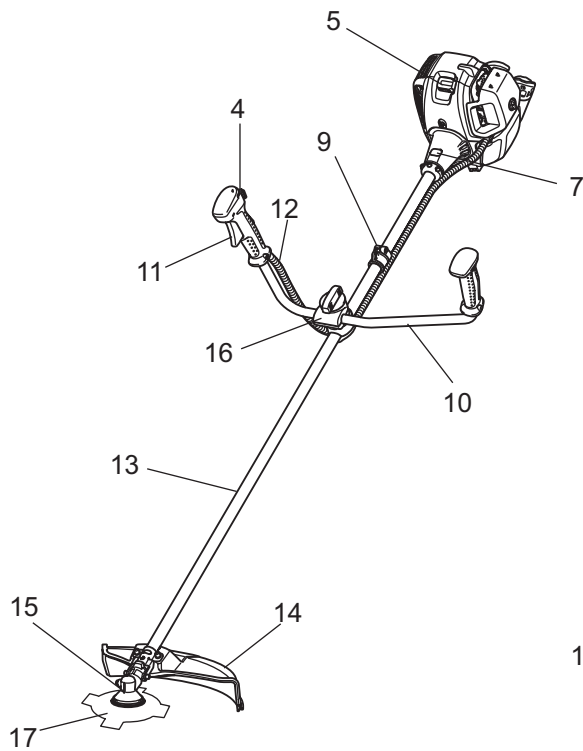
ESPECIFICACIONES TÉCNICAS - EM2650UH, EM2650LH, EM2652LHN

Modelo	EM2650UH		EM2650LH		EM2652LHN	
	Mango tipo bicicleta		Mango tipo redondo			
Dimensiones: longitud x amplitud x altura (sin cuchilla cortadora)	pulgada (mm)	69 - 1/2" x 24 - 3/8" x 18 - 2/3" (1 765 x 620 x 474)	69 - 1/2" X 8 - 7/8" X 12 - 3/4" (1 765 x 226 x 323)	70" X 9 - 9/16" X 12 - 3/4" (1 776 x 243 x 323)		
Peso (sin protector plástico ni cuchilla cortadora)	lbs (kg)	12,11 (5,5)	11,02 (5,0)		11,5 (5,2)	
Volumen (tanque de combustible)	fl.oz (L)	20,3 (0,6)				
Volumen (tanque de aceite)	fl.oz (L)	2,7 (0,08)				
Desplazamiento del motor	pulg. cúb. (cm ³)	1,5 (25,4)				
Máximo rendimiento del motor	hp (kw)	1,1 (0,77) a 7 000 rpm				
Velocidad del motor a velocidad máxima recomendada del eje	RPM (1/min)	10 000			9 700	
Velocidad máxima del eje (correspondiente)	RPM (1/min)	7 400			4 700	
Velocidad en estado de marcha sin carga	RPM (1/min)	3 000				
Velocidad con accionamiento del embrague	RPM (1/min)	3 900			4 000	
Carburador	Tipo de diafragma					
Sistema de encendido	Tipo magnetizado sin contacto					
Bujía de encendido	tipo	NGK CMR4A				
Separación de electrodos	pulgada (mm)	0,028" - 0,032" (0,7 - 0,8)				
Combustible	Gasolina para automóvil (combustible)					
Aceite para motor	Aceite SAE 10W-30 de Clasificación API, clase SF o superior (para motor de automóvil de 4 tiempos)					
Piezas cortadoras (diámetro de la cuchilla cortadora)	pulgada (mm)	9 - 1/16" (230)	—		—	
Relación de cambios	14/19					14/29

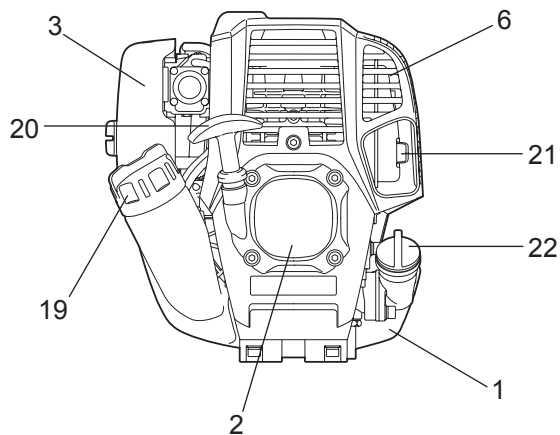
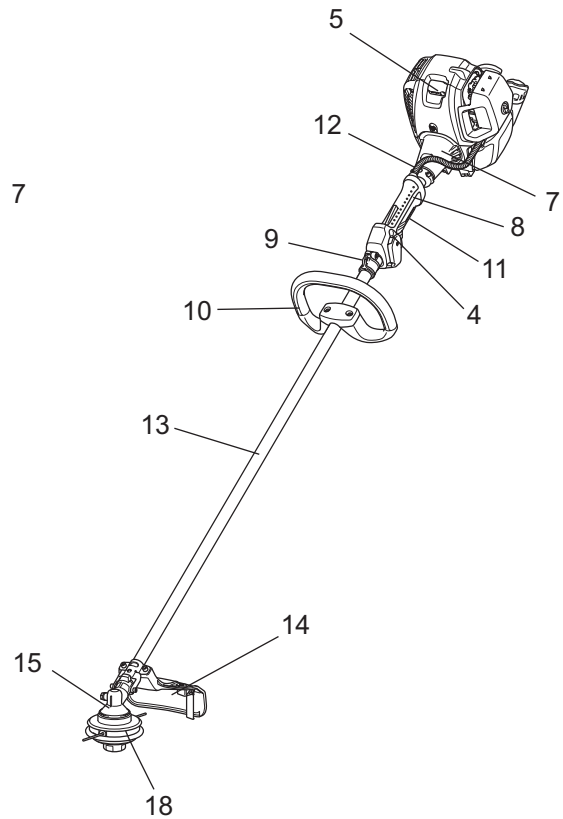
(Para Canadá) NOTA: este sistema de encendido con bujía cumple con el estándar canadiense ICES-002.

IDENTIFICACIÓN DE LAS PIEZAS

EM2650UH



EM2650LH EM2652LHN



E	IDENTIFICACIÓN DE LAS PIEZAS
1	Tanque de combustible
2	Bobina del arrancador
3	Filtro de aire
4	Interruptor I-O (encendido / apagado)
5	Bujía de encendido
6	Mofle de escape
7	Carcasa del embrague
8	Empuñadura trasera
9	Colgador
10	Mango
11	Palanca de aceleración
12	Cable de control
13	Eje
14	Protector
15	Caja de cambios / Caja de la unidad
16	Sujetador del mango
17	Cuchilla cortadora
18	Cabeza cortadora de nailon
19	Tapa del tanque de combustible
20	Perilla del arrancador
21	Tubo de escape
22	Tapa del aceite

COLOCACIÓN DEL MANGO

PRECAUCIÓN: Siempre antes de realizar cualquier servicio sobre el equipo, apague el motor y quite la bujía de encendido de su enchufe.
¡Use siempre guantes protectores!

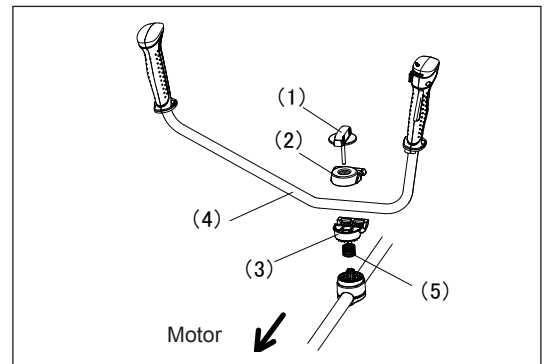
PRECAUCIÓN: Accione el motor sólo tras haberlo ensamblado por completo.



Para modelos equipados con mango tipo bicicleta

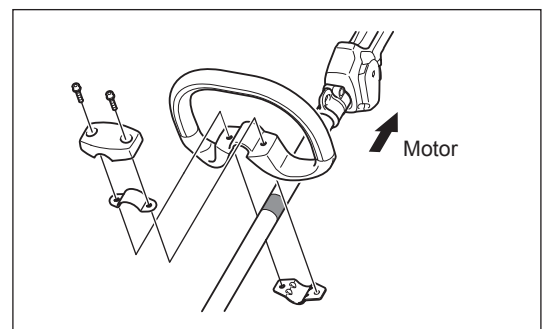
- Afloje la perilla (1).
- Coloque el mango (4) entre la prensa del mango (2) y el sujetador del mango (3).
- Ajuste el mango (4) a un ángulo que ofrezca una posición cómoda para la operación y luego fíjelo firmemente apretando la perilla con la mano (1).

PRECAUCIÓN: No olvide la colocación del resorte (5).



Para modelos equipados con mango tipo redondo

- Fije el mango redondo sobre el eje como se ilustra.
- Para mantener una distancia apropiada entre las empuñaduras, ajuste el mango redondo adelante de las flechas.

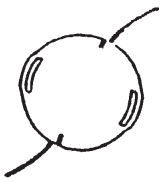
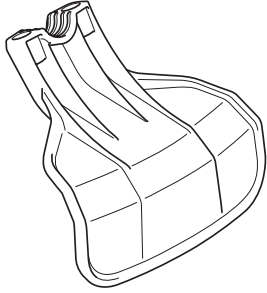


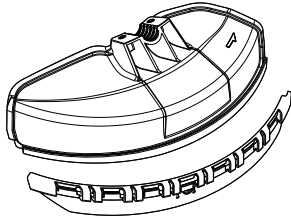
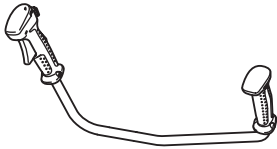



COMBINACIÓN APROBADA DE PIEZA CORTADORA, PROTECTOR, MANGO Y ARNÉS


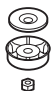
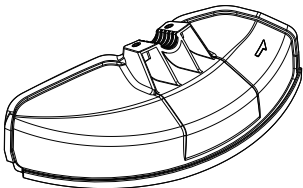
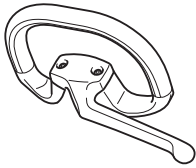




ADVERTENCIA: Use siempre el equipo con la combinación apropiada de los equipos de seguridad.
De lo contrario, el contacto con la pieza cortadora puede resultar en graves lesiones.

Uso de la cabeza cortadora de nailon (EM2650UH, EM2650LH, EM2652LHN)

Cabeza cortadora de nailon	Protector	Mango	Arnés
		 (Con o sin barra delimitadora)	 (Con o sin correa de hombro)
	 (Con extensión protectora)		

Uso de cuchilla metálica (EM2650UH, accesorio opcional para EM2650LH, EM2652LHN)

Cuchilla metálica	Protector	Mango	Arnés
 <p>  (La arandela de la prensa, el cono y la tuerca son necesarios) </p>	 (Sin extensión protectora)	 (Con barra delimitadora)	 

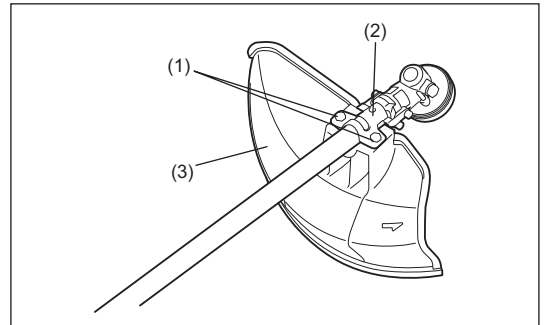
COLOCACIÓN DEL PROTECTOR

Para cumplir con las provisiones de seguridad correspondientes, sólo deben usarse las siguientes combinaciones de la herramienta y sus protectores según se indican en la tabla.

Para EM2650UH

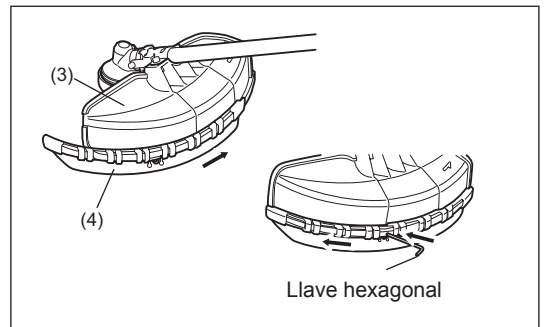
- Al usar la cuchilla metálica, fije el protector (3) a la prensa (2) con dos pernos M6 x 30 (1).

NOTA: Apriete los pernos izquierdo y derecho uniformemente de tal forma que el espacio entre la prensa (2) y el protector (3) sea constante.
De lo contrario, puede que el protector no funcione como debiera.



- En los casos en los que se requiera usar el cordón cortador de nailon, asegúrese colocar la extensión protectora (4) en el protector de la cuchilla metálica (3).
- Coloque la extensión protectora (4) al deslizarla a su lugar desde el costado del protector de la cuchilla metálica (3) como se muestra.
- Retire la cinta adherida a la pieza cortadora, la cual corta el cordón de nailon, en la extensión protectora (4).

PRECAUCIÓN: Asegúrese de empujar la extensión protectora (4) hasta que quede insertada completamente.
Tenga cuidado de no lesionarse con el cortador para cortar el cordón de nailon.

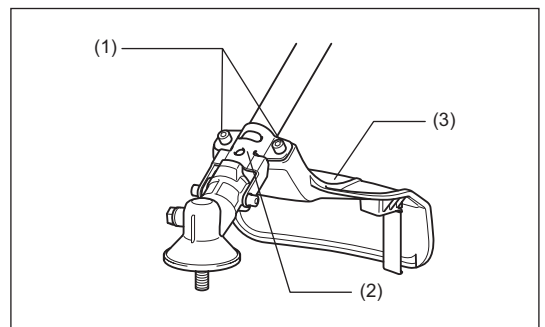


- Para quitar la extensión protectora (4), coloque la llave hexagonal en la muesca del protector de la cuchilla metálica (3), y presiónela mientras desliza la extensión protectora (4).

Para EM2650LH, EM2652LHN

- Fije el protector (3) a la prensa (2) con dos pernos M6 x 30 (1).

NOTA: Apriete los pernos izquierdo y derecho uniformemente de tal forma que el espacio entre la prensa (2) y el protector (3) sea constante.
De lo contrario, puede que el protector no funcione como debiera.



COLOCACIÓN DE LA CUCHILLA CORTADORA O CABEZA CORTADORA DE NAILON

Asegúrese de usar cuchillas cortadoras o cabezas cortadoras de nailon originales de MAKITA.

- La cuchilla cortadora debe estar bien pulido y libre de grietas o roturas. Si la cuchilla cortadora golpea contra una piedra durante la operación, detenga el motor y revise de inmediato la cuchilla.
- Pula o reemplace la cuchilla cortadora por cada tres horas de uso.
- Si la cabeza cortadora de nailon golpea contra una piedra durante la operación, detenga el motor y revísela de inmediato.

PRECAUCIÓN: El protector apropiado debe siempre estar instalado por su propia seguridad para cumplir con las regulaciones sobre prevención de accidentes. No se permite usar equipo sin que el protector esté colocado en su lugar. El diámetro exterior de la cuchilla cortadora debe ser de 230 mm (9 - 1/16"). Nunca utilice cuchillas que excedan los 230 mm (9 - 1/16") de diámetro exterior.

Voltee la herramienta al revés para que pueda reemplazar con facilidad la cuchilla cortadora o la cabeza cortadora de nailon.

- Inserte la llave hexagonal a través del orificio en la caja de cambios y gire la arandela receptora (4) hasta que quede asegurada en la llave hexagonal.
- Afloje la tuerca (1) (de rosca izquierda) con la llave de tubo y quite la tuerca (1), el cono (2) y la arandela de la prensa (3).

Colocación de la cuchilla cortadora con la llave hexagonal aún puesta.

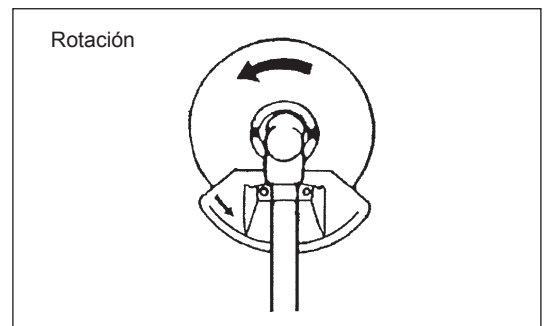
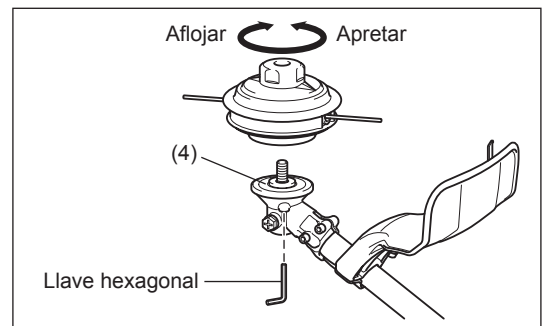
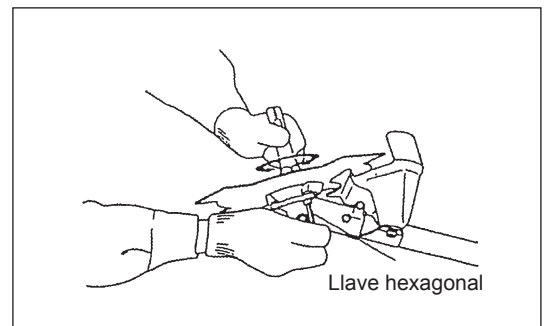
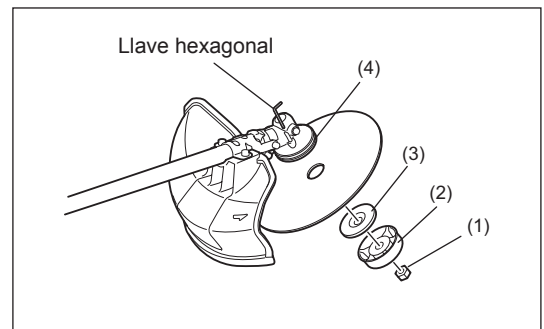
- Coloque la cuchilla cortadora sobre el astil de tal forma que la guía de la arandela receptora (4) encaje con el orificio del eje de la cuchilla cortadora. Coloque la arandela de la prensa (3), el cono (2) y fije la cuchilla cortadora con la tuerca (1). [Torsión de apretado: 13 - 23 N-m]

NOTA: Use siempre guantes al manipular la cuchilla cortadora.

NOTA: La tuerca de sujeción de la cuchilla cortadora (con arandela de resorte) es una pieza que se desgasta. Si se puede apreciar cualquier desgaste o deformación de la arandela de resorte, reemplace la tuerca.

Colocación de la cabeza cortadora de nailon

- La arandela de la prensa (3), cono (2) y tuerca (1) no se necesitan para la colocación de la cabeza cortadora de nailon. La cabeza cortadora de nailon debe quedar por encima de la arandela del receptor (4).
- Inserte la llave hexagonal a través del orificio en la caja de cambios y gire la arandela receptora (4) hasta que quede asegurada en la llave hexagonal.
- Luego atornille la cabeza cortadora de nailon en el eje al girarla en dirección contraria a las agujas del reloj.
- Retire la llave hexagonal.



ANTES DE INICIAR LA OPERACIÓN

Inspeccione y resuministre el aceite del motor

- Realice el siguiente procedimiento, con el motor frío.
- Ajuste el nivel del motor, quite la tapa del aceite (Fig. 1) y verifique si el aceite se encuentra o no dentro del rango entre las marcas de los límites superior e inferior del conducto del aceite (Fig. 2).
- Llene con aceite hasta la marca del límite superior en caso de que no haya suficiente aceite (cuando el nivel de aceite se aproxime a la marca del límite inferior) (Fig. 3).
- El área alrededor de las marcas externas es transparente, por lo que es posible verificar la cantidad de aceite que hay adentro sin tener que quitar la tapa del aceite. Sin embargo, cuando el conducto del aceite se ensucia demasiado, puede que no sea posible tener visibilidad y el nivel de aceite tendrá que verificarse contra la sección escalonada por dentro del conducto del aceite.
- Para referencia, el tiempo de resuministro de aceite es de alrededor de 10h (10 veces o 10 reabastecimientos de combustible en el tanque antes de que se requiera hacer un resuministro de aceite).
Si el aceite cambia de color o se mezcla con partículas de polvo o mugre, reemplace con aceite nuevo (para el intervalo y método de reemplazo, consulte la P 64).

Aceite recomendado: Aceite SAE 10W-30 de Clasificación API, clase SF o superior (para motor de automóvil de 4 tiempos)

Volumen de aceite: Aprox. 0,08L

NOTA: Si el motor no se mantiene en posición recta, puede que el aceite se acumule en otras partes del motor. Puede que el indicador del nivel de aceite ofrezca una lectura incorrecta del nivel de aceite. Evite llenar con aceite cuando el motor no se encuentre en posición recta. Si el aceite es suministrado por encima del límite, puede que el aceite esté contaminado o que se prenda en llamas con el humo blanco.

Punto 1 en el reemplazo del aceite: “Tapa del aceite”

- Elimine el polvo o mugre cerca del puerto de resuministro de aceite y quite la tapa del aceite.
- Mantenga la tapa del aceite que ha retirado libre de polvo, tierra o arena. De lo contrario, puede que cualquier partícula de polvo o tierra adherida a la tapa del aceite cause una circulación irregular o que desgaste las piezas del motor, lo cual resultaría en problemas.

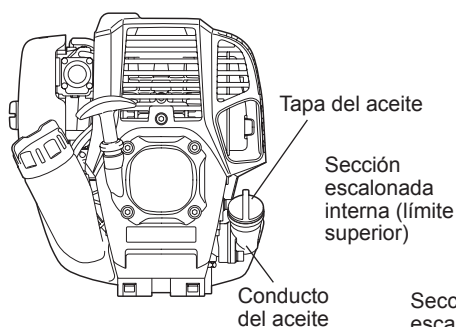


Fig. 1

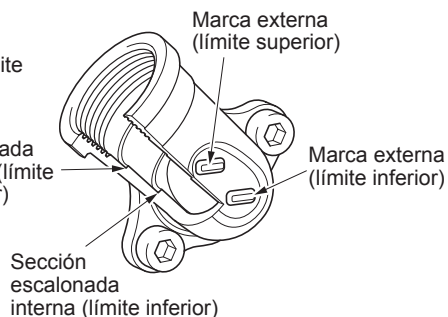


Fig. 2 Conducto del aceite

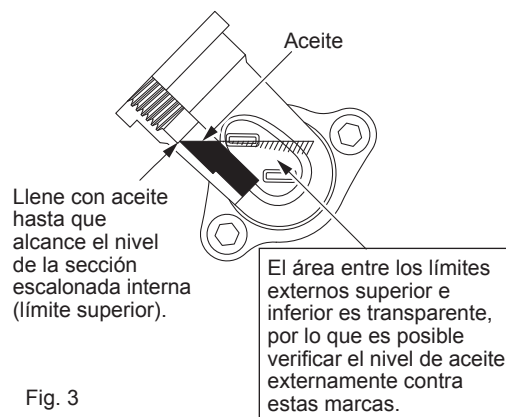
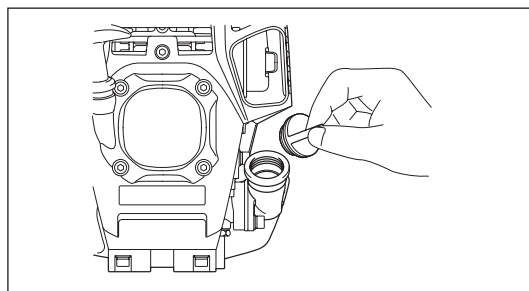
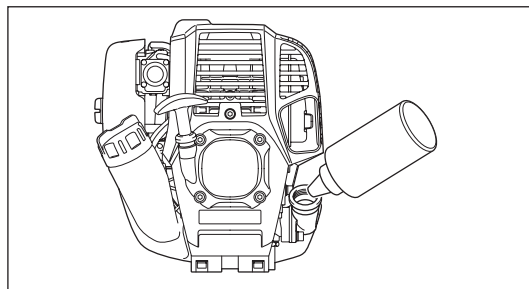


Fig. 3

(1) Mantenga el nivel de aceite y retire la tapa del aceite.



(2) Llene con aceite hasta la marca del límite superior (ver Fig. 3)
Use la botella de aceite al verterlo.



(3) Apriete firmemente la tapa del aceite. Puede que un apretado insuficiente cause una fuga de aceite.

Nota

- No cambie el aceite estando el motor en una posición inclinada.
- Suministrar aceite con el motor inclinado resultará en un suministro excesivo lo cual causará contaminación de aceite y/o humo blanco.

Punto 2 en el cambio de aceite: “Si hay derrame de aceite”

- Si el aceite se derrama entre el tanque de combustible y la unidad principal, el aceite se absorbe a través del puerto de la rejilla de ventilación, con lo cual se contaminará el motor. Asegúrese de limpiar con un paño el derrame antes de iniciar la operación.

REABASTECIMIENTO DE COMBUSTIBLE

Manejo del combustible

El manejo de combustible requiere del máximo cuidado. Puede que el combustible contenga sustancias similares a los disolventes. El resuministro de combustible debe realizarse en un lugar con suficiente ventilación o al aire libre. Nunca inhale el vapor y manténgase alejado del combustible. Si su piel llega a tener contacto con el combustible en repetidas o prolongadas ocasiones, la piel se reseca con lo cual puede que se desarrolle una alergia o enfermedad de la piel. Si los ojos llegan a tener contacto con el combustible, lávelos con agua fresca. Si persisten las molestias con los ojos, consulte a su médico.

Periodo de almacenamiento del combustible

El combustible deberá usarse dentro de un periodo de 4 semanas, aún cuando éste sea almacenado en un contenedor especial en un lugar bien ventilado sin exposición al sol.

De lo contrario, puede que el combustible se deteriore en un día.

ALMACENAMIENTO DEL EQUIPO Y RESUMINISTRO DEL TANQUE

- Conserve el equipo y tanque en un lugar fresco y sin exposición directa a la luz del sol.
- Nunca guarde combustible en un automóvil.

Combustible

El motor es de cuatro tiempos. Asegúrese de usar gasolina sin plomo para automóvil con nivel de octanaje 87 o superior ((R+M)/2). Puede que contenga no más de 10% de alcohol (E-10).

Puntos para el combustible

- Nunca use gasolina mezclada que contenga aceite para motor. De lo contrario, se producirá un exceso en la acumulación de carbono o se ocasionarán problemas mecánicos.
- El uso de aceite deteriorado causará un arranque irregular.

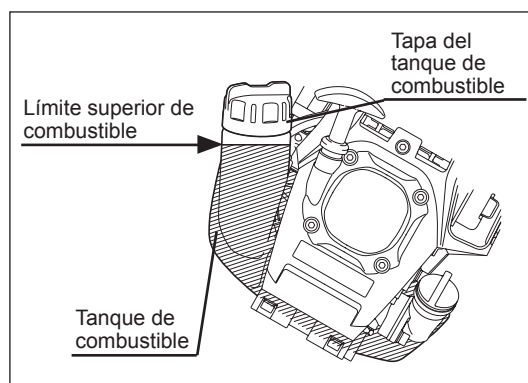
Reabastecimiento de combustible

ADVERTENCIA: Apague el motor antes de proceder con el reabastecimiento de combustible, manténgase alejado de llamas y no fume.

Gasolina a ser usada: Gasolina sin plomo para automóvil con nivel de octanaje 87 o superior. Con no más de 10% de alcohol (E-10).

- Afloje un poco la tapa del tanque para liberar la presión del tanque.
- Luego quite la tapa del tanque y reabastezca el combustible, eliminando el aire al inclinar el tanque de combustible de tal forma que el puerto para resuministro quede orientado hacia arriba. EVITE llenar hasta el tope del tanque.
- Limpie bien con un paño el exterior de la tapa del tanque para prevenir que residuos se introduzcan al tanque de combustible.
- Apriete fijamente la tapa del tanque tras reabastecer el combustible.

- Si observa cualquier desperfecto o daño en la tapa del tanque, reemplácela.
- Con el transcurso del tiempo, la tapa del tanque se desgasta. Reemplácela cada dos a tres años.
- NO reabastezca el combustible por el puerto de suministro de aceite.



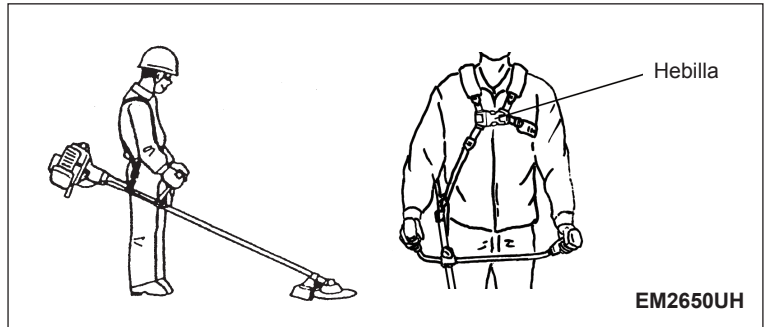
MANEJO CORRECTO DEL EQUIPO

Colocación de la correa de hombro

- Ajuste la longitud de la correa de tal forma que la cuchilla cortadora quede paralelo con el suelo.

Para EM2650UH

NOTA: Tenga precaución de que no se enganche alguna prenda de vestir, etc. en la hebilla.

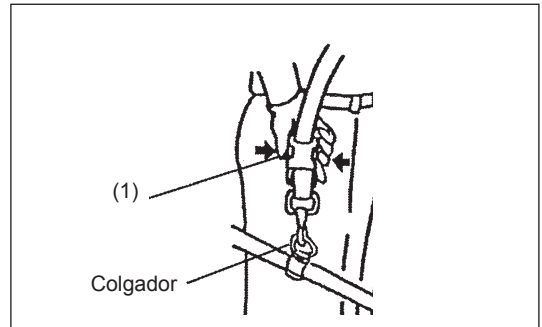


Desprendimiento

Para EM2650LH, EM2652LHN (accesorio opcional)

- En una emergencia, presione las muescas (1) a ambos lados para que el equipo pueda desprenderse de usted. Tenga extremo cuidado en mantener control sobre el equipo durante este momento. No deje que el equipo se desvíe hacia usted ni hacia otra persona alrededor.

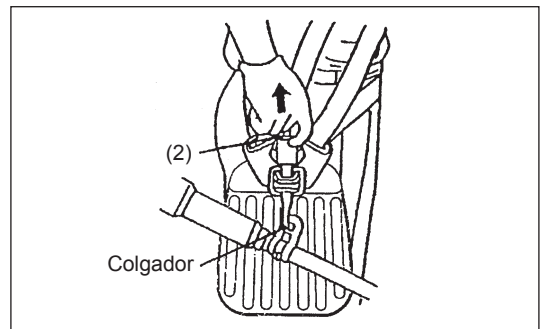
ADVERTENCIA: No tener un completo control del equipo puede resultar en serias lesiones al cuerpo o incluso la MUERTE.



Para EM2650UH

- En caso de emergencia, quite la palanca de desprendimiento de emergencia (2) al jalarla con fuerza con un dedo. El equipo se desprenderá del cuerpo. Tenga extremo cuidado en mantener control sobre el equipo durante este momento. No deje que el equipo se desvíe hacia usted ni hacia otra persona alrededor.

ADVERTENCIA: No tener un completo control del equipo puede resultar en serias lesiones al cuerpo o incluso la MUERTE.



PUNTOS EN LA OPERACIÓN Y CÓMO DETENER LA OPERACIÓN

Siga las normas correspondientes para la prevención de accidentes.

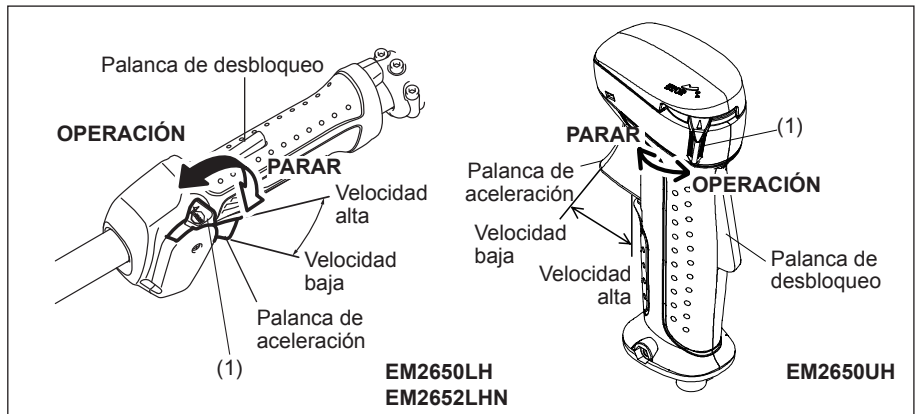


ARRANQUE DEL MOTOR

Aléjese al menos 3 metros del lugar en donde realizó el reabastecimiento de combustible. Coloque la unidad sobre el suelo cuidando que la pieza cortadora no tenga contacto con el suelo ni con ningún otro objeto.

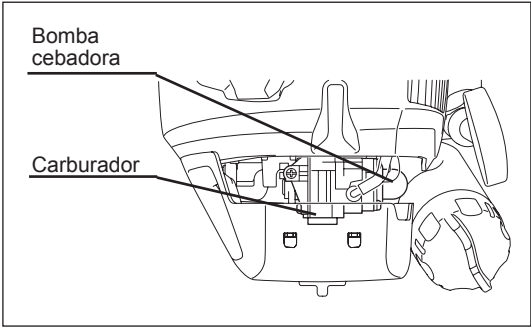
A: Arranque en frío

- 1) Coloque este equipo sobre una superficie plana.
- 2) Ajuste el interruptor I-O (1) en modo de OPERACIÓN.



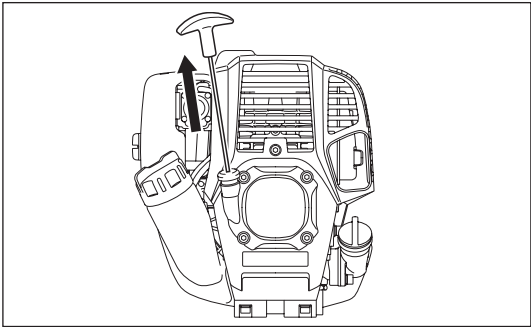
3) Bomba cebadora

Continúe bombeando el cebador hasta que el combustible ingrese a la bomba (en general, el combustible ingresa a la bomba tras 7 a 10 bombeos). Si la bomba cebadora es bombeada excesivamente, se retornará un exceso de combustible al tanque.



4) Arrancador de retroimpacto

Jale la perilla del arrancador suavemente hasta el primer indicio de resistencia (punto de compresión). Luego, regrese la perilla y vuelva a jalarla con fuerza. Nunca jale el cordón hasta el máximo. Una vez que se jale la perilla de arranque, no la suelte de inmediato; continúe sujetándola mientras la regresa a su posición original.



5) Operación de calentamiento

Continúe la operación de calentamiento de 2 a 3 minutos.

NOTA:

- En caso de una entrada excesiva de combustible (desbordamiento), quite la bujía de encendido y jale el mango del arrancador lentamente para eliminar el exceso de combustible. También, seque la sección del electrodo de la bujía de encendido.
- No abra el acelerador por completo al operar la herramienta con una cuchilla metálica. Operar la herramienta con una velocidad apropiada del motor para el uso de cuchillas metálicas (alrededor de 6 000 a 8 500 rpm) ahorrará combustible. Por otro lado, las cabezas cortadoras de nailon requieren de una aceleración completa para hacer cortes limpios.

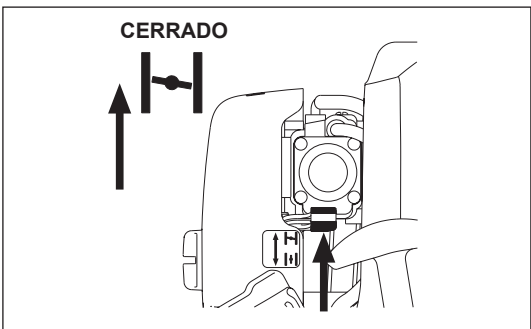
B: Arranque tras la operación de calentamiento

- 1) Bombee el cebador repetidamente.
- 2) Mantenga la palanca de aceleración en la posición pasiva.
- 3) Jale el arrancador de retroimpacto con fuerza.
- 4) Si se dificulta arrancar el motor, abra el acelerador alrededor de 1/3. Esté atento de la cuchilla cortadora el cual puede girar.

En ciertas ocasiones, como en el invierno, cuando se dificulta echar a andar el motor

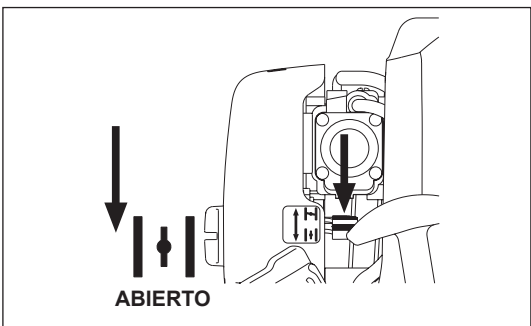
Opere la palanca dosificadora con el siguiente procedimiento al echar a andar el motor.

- Tras ejecutar los pasos de arranque del 1 al 3, ajuste la palanca dosificadora a la posición CERRADA.
- Ejecute el paso 4 de arranque y eche a andar el motor.
- Una vez que el motor arranque, ajuste la palanca dosificadora en la posición ABIERTA.
- Ejecute el paso 5 de arranque y complete la fase de calentamiento del motor.



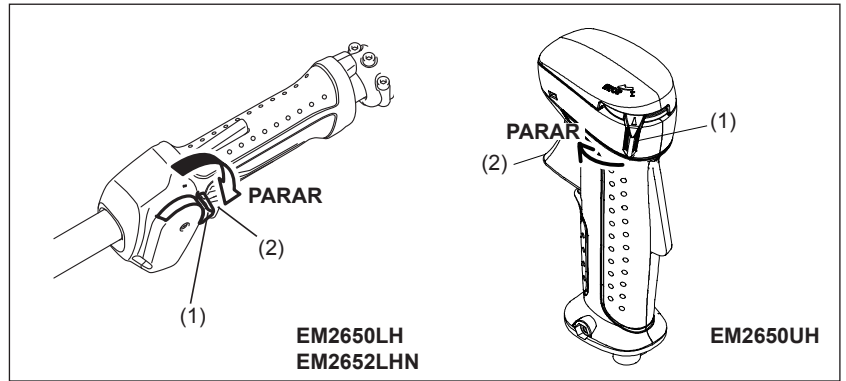
PRECAUCIÓN: Si se genera un sonido explosivo y el motor se detiene, o si el motor se detiene justo después de echarse a andar antes de haber operado la palanca dosificadora, retorne la palanca dosificadora a la posición ABIERTA, y jale la perilla del arrancador algunas cuantas veces para echar a andar de nuevo el motor.

PRECAUCIÓN: Si la palanca dosificadora se deja en la posición CERRADA, y la perilla del arrancador apenas se jala repetidamente, se suministrará demasiado combustible que dificultará el arranque del motor.



PARO DE LA OPERACIÓN

- 1) Libere la palanca de aceleración (2) por completo y al disminuir la velocidad del motor, ajuste el interruptor I-O (1) a la posición PARAR y el motor parará.
- 2) Tenga en cuenta que puede que la cabeza cortadora no se detenga inmediatamente y permita que se desacelere por completo.

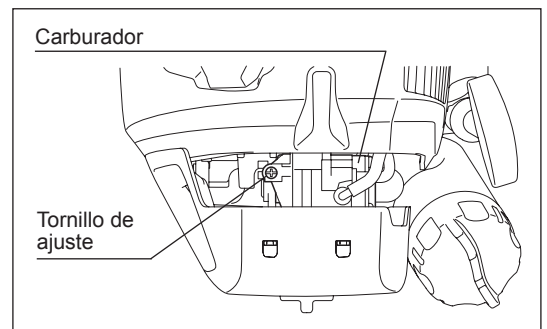


AJUSTE DE LA ROTACIÓN DE BAJA VELOCIDAD (ESTADO PASIVO)

Cuando sea necesario, ajuste la rotación de baja velocidad (estado pasivo) mediante el tornillo de ajuste del carburador.

REVISIÓN DE LA ROTACIÓN DE BAJA VELOCIDAD

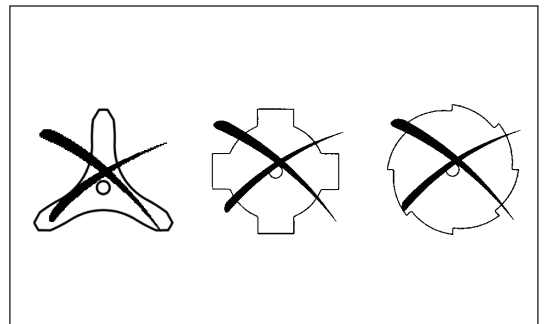
- Ajuste la rotación de baja velocidad a 3 000 min⁻¹. Si es necesario cambiar la rotación de baja velocidad (estado pasivo), use un destornillador Phillips sobre el tornillo que se indica en la ilustración a la derecha.
- Gire el tornillo de ajuste a la derecha para aumentar la rotación del motor. Gire el tornillo de ajuste a la izquierda para disminuir la rotación del motor.
- Por lo general, el carburador viene ajustado de fábrica. Puede que la velocidad pasiva requiera ser reajustada tras varios reabastecimientos de combustible en el tanque.



REFILADO DE LA PIEZA CORTADORA

PRECAUCIÓN: Las piezas cortadoras que se muestran en la ilustración no requieren ser afiladas. El reafilado manual resultará en una descalibración de la pieza cortadora causando vibraciones y daños al equipo.

NOTA: Para aumentar la vida útil de la cuchilla cortadora puede que sea volteado de lado, hasta que ambos bordes de corte se desafilan.



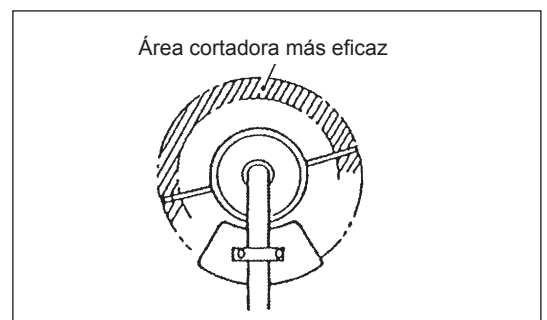
CABEZA CORTADORA DE NAILON

La cabeza cortadora de la desbrozadora consiste de una cabeza de recorte de doble cordón que cuenta con un mecanismo de golpeteo y alimentación.

La cabeza cortadora de nailon alimentará la longitud apropiada del cordón de nailon tras golpetear la cabeza cortadora con suelo mediante los cambios en la fuerza centrífuga causados por el incremento en las revoluciones por minuto (rpm).

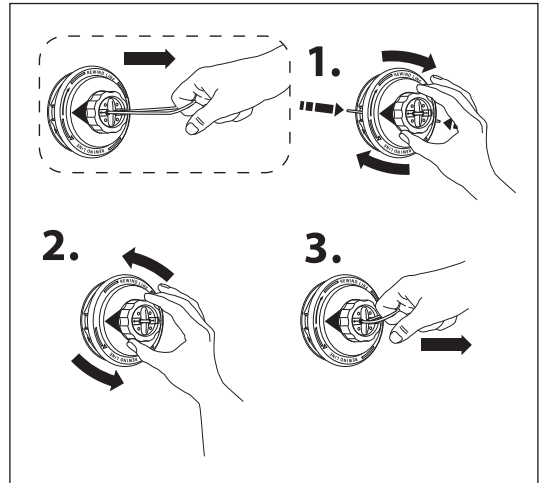
Operación

- (Para modelo EM2650UH, EM2650LH) Incremente la velocidad de la cabeza cortadora de nailon hasta justo antes de alcanzar una aceleración completa. (Para modelo EM2652LHN) Incremente la velocidad de la cabeza cortadora de nailon hasta alcanzar una aceleración completa. Golpetee la cabeza cortadora levemente sobre el suelo.
- El área de corte más eficiente se muestra con el área sombreada.
- Si el cordón de nailon no reacciona al proceso de alimentación, retracte / reemplace el cordón de nailon siguiendo los procedimientos descritos en "Reemplazo del cordón de nailon".



Reemplazo del cordón de nailon

- Primero, pare el motor.
- Sostenga la carcasa con firmeza y gire el carrete en sentido de las agujas del reloj hasta que el cordón de nailon restante se retraiga en la carcasa, y gire un poco hacia adelante y luego un poco hacia atrás repetitivamente para aliviar la tensión del cordón.
- Sujete el aro sobre la parte superior del carrete y jale del carrete.

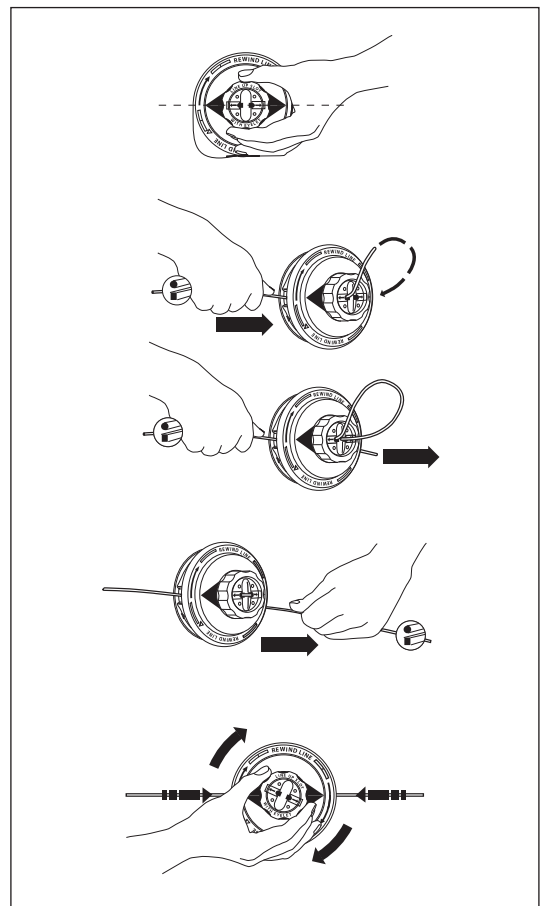


- Prepare un cordón de nailon con las siguientes especificaciones.
4,5 m (15 ft) de longitud
2,4 mm (0,095") de diámetro de cordón redondo o 2,0 mm (0,08") diagonal de cordón cuadrado.
- Alinee la flecha sobre el carrete con los ojales sobre la carcasa.

- Introduzca un extremo del cordón de nailon por el ojal sobre el lado de la carcasa y alimente a través del orificio sobre la parte superior del carrete, y luego reintrodúzcalo en el segundo orificio en la parte superior del carrete. Empuje el cordón de nailon en los orificios hasta que el cordón se alimente a través de los ojales en el lado de la carcasa.

- Empuje el cordón de nailon en los orificios que se alimentan a través de los ojales en el lado de la carcasa hasta que quede con la misma longitud por ambos lados.

- Sujete la carcasa con firmeza y gire el carrete en sentido de las agujas del reloj para rebobinar el cordón de nailon en el carrete.



INSTRUCCIONES DE SERVICIO

PRECAUCIÓN: Siempre antes de realizar cualquier servicio sobre el equipo, apague el motor y quite la bujía de encendido de su enchufe (remítase a "Revisión de la bujía de encendido").

¡Use siempre guantes protectores!

Para asegurar una extensa vida útil y evitar daños al equipo, las siguientes operaciones de servicio de mantenimiento deben realizarse de forma rutinaria.

Revisión y mantenimiento diarios

- Antes de la operación, revise el equipo para ver si hay tornillos sueltos o piezas ausentes. Ponga especial atención a qué tan bien apretado está la cuchilla cortadora o la cabeza cortadora de nailon.
- Antes de la operación, revise siempre si hay congestión por residuos en el conducto de aire para el enfriamiento, así como en las rendijas del cilindro.
Limpie de ser necesario.
- Realice la siguiente labor diaria tras el uso:
 - Limpie el equipo externamente e inspeccione para ver si hay daños.
 - Limpie el filtro del aire. Al trabajar en condiciones con demasiado polvo, limpie el filtro varias veces al día.
 - Revise si la cuchilla o la cabeza cortadora de nailon tiene daños y asegúrese que esté firmemente colocado(a).
 - Revise que haya suficiente diferencia entre las velocidades en estado pasivo y en estado de operación para asegurar que la pieza cortadora se detenga por completo mientras el motor esté en estado pasivo (reduzca la velocidad en estado pasivo en caso de ser necesario).
Si la ejecución en la herramienta continúa mientras se encuentra en estado pasivo, acuda a su Agente de Servicio Autorizado más cercano.
- Revise que el funcionamiento del interruptor I-O, la palanca de desbloqueo, la palanca de aceleración y el botón de bloqueo.

REEMPLAZO DEL ACEITE DEL MOTOR

El aceite del motor que se haya deteriorado acortará la vida del motor. Asegúrese de revisar el aceite y el nivel de éste de forma habitual.



ATENCIÓN: En general, el motor de la unidad principal y el aceite del motor permanecen calientes tras haber apagado el motor. En el reemplazo de aceite, asegúrese que el motor de la unidad principal y el aceite del motor se haya enfriado lo suficiente. De lo contrario, puede que quede un riesgo de quemaduras.

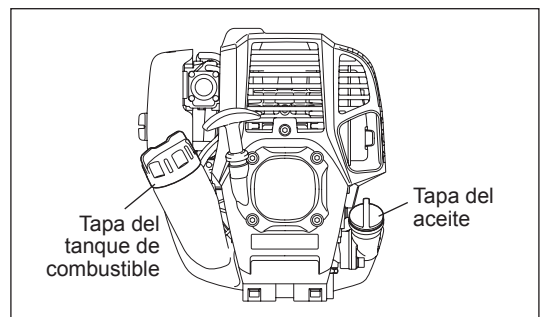
NOTA: Si el aceite es suministrado por encima del límite, puede que éste se contamine o que se prenda en llamas con el humo blanco.

Intervalo de cambio: Tras las primeras 20 horas de operación, seguido por cada 50 horas de operación.

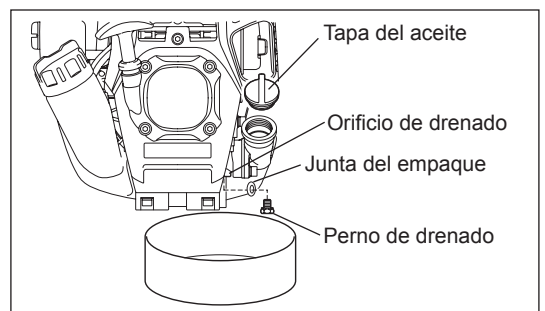
Aceite recomendado: Aceite SAE 10W-30 de Clasificación API, clase SF o superior (para motor de automóvil de 4 tiempos)

En el reemplazo, realice el siguiente procedimiento.

- 1) Asegúrese que la tapa del tanque de combustible esté apretada firmemente.
- 2) Coloque un contenedor grande (cazuela, etc.) bajo el orificio de drenado.



- 3) Quite el perno de drenado y luego la tapa del aceite para drenar el aceite desde el orificio de drenado. En este momento, asegúrese de no extraviar la junta del empaque del perno, ni de ensuciar cualquiera de los componentes que se quitaron.

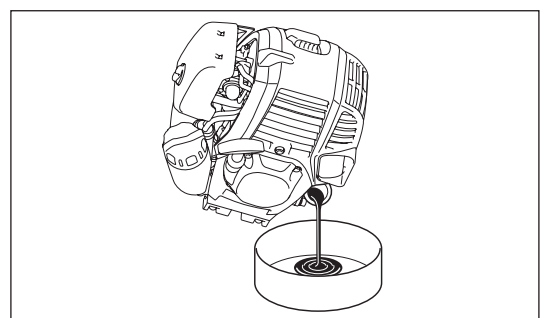


- 4) Una vez que se haya drenado todo el aceite, vuelva a colocar la junta del empaque con el perno de drenado y coloque en la herramienta apretando firmemente para que no quede suelto ni se generen fugas.
* Use un paño para limpiar cualquier residuo de aceite en el perno y la herramienta.

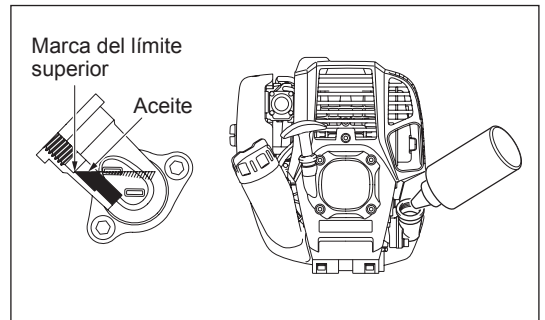
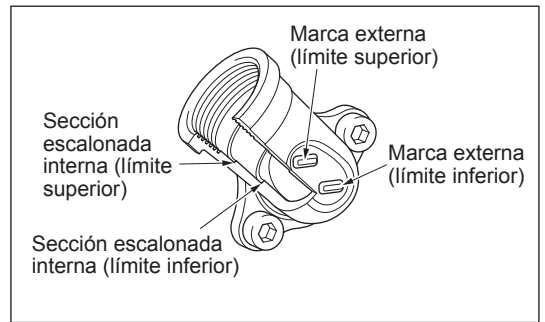
Método alternativo de drenado

Quite la tapa del aceite e incline la herramienta hacia el orificio de suministro de aceite para drenarlo.

Recolecte el aceite en un contenedor.



- 5) Ajuste el nivel del motor y gradualmente llene con aceite hasta la marca del límite superior.
- 6) Tras el suministro, coloque la tapa del aceite y apriétela con firmeza de tal forma que no quede suelta y se generen fugas. Puede que haya fugas si la tapa del aceite no queda bien apretada.



PUNTOS SOBRE EL ACEITE

- Nunca deseche el aceite viejo del motor en la basura, ni lo tire al suelo o drenaje. El desecho de aceite está reglamentado por la ley. Al desechar, siempre acate las leyes y reglamentaciones correspondientes. Para cualquier otro punto desconocido, póngase en contacto con un Agente de Servicio Autorizado.
- El aceite se deteriora incluso si se conserva sin usar. Realice la inspección y el reemplazo a intervalos periódicos (reemplace con nuevo aceite cada 6 meses).

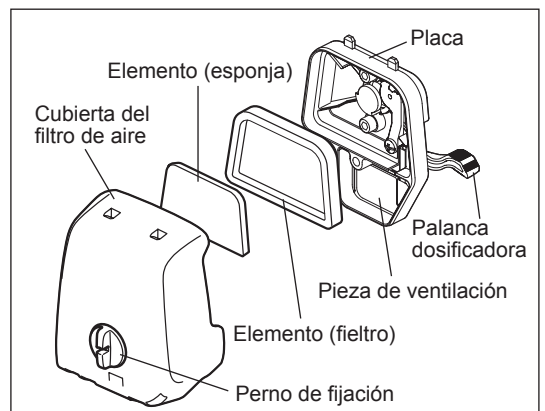
LIMPIEZA DEL FILTRO DE AIRE



ADVERTENCIA: Apague el motor, manténgase alejado de llamas y no fume.

Intervalo de limpieza e inspección: Diario (cada 10 horas de operación)

- Gire la palanca dosificadora completamente al lado cerrado y mantenga el carburador fuera de polvo y residuos.
- Afloje el perno de fijación.
- Retire la cubierta del filtro de aire jalándolo por su lado de fondo.
- Retire los elementos y golpetéelos para eliminar la tierra y el polvo.
- Si los elementos están altamente contaminados: Retire los elementos, sumérgalos en agua tibia o en agua diluida con un detergente neutro y luego séquelos por completo. No los apretuje ni los talle al estarlos lavando.
- Antes de colocar los elementos, asegúrese de haberlos secado por completo. De lo contrario, puede que éstos dificulten el arranque del equipo.
- Limpie con un paño el aceite que se haya adherido alrededor de la cubierta del filtro de aire y de la pieza de ventilación.
- Acomode el elemento (esponja) dentro del elemento (fieltro). Acomode los elementos en la placa de tal forma que la esponja quede orientada hacia la cubierta del filtro de aire.
- Coloque inmediatamente la cubierta del filtro y apriétela con los pernos de fijación (al reinstalar, primero coloque la pinza superior y luego la inferior).



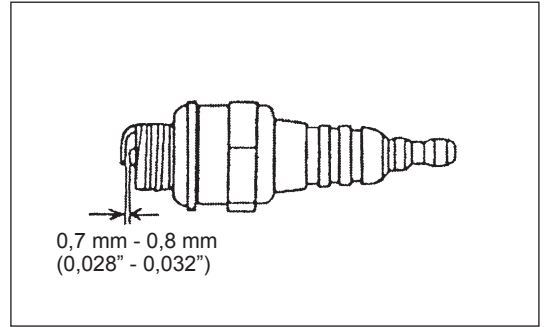
AVISO:

- Limpie los elementos varias veces al día en caso de que se adhiera polvo en exceso. Los elementos sucios reducen el poder del motor y dificultan su arranque.
- Elimine el aceite de los elementos. Si la operación continúa con los elementos sin haberse limpiado de aceite, puede que el aceite en el filtro de aire se salga, resultando en contaminación del medio ambiente.
- No coloque los elementos sobre el suelo ni sobre una superficie sucia. De lo contrario contraerán residuos que puede que dañen el motor.
- Nunca use gasolina para limpiar los elementos. Puede que la gasolina los dañe.

REVISIÓN DE LA BUJÍA DE ENCENDIDO

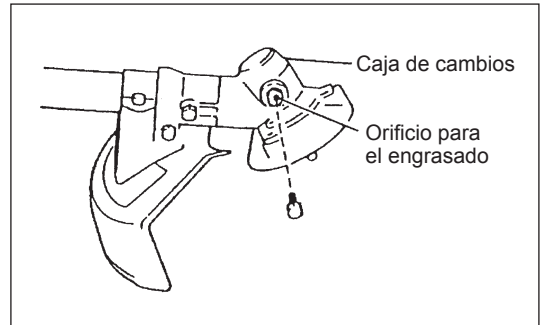
- Use sólo la llave universal incluida para quitar o poner la bujía de encendido.
- El espacio entre los dos electrodos de la bujía de encendido deberá ser de 0,7 - 0,8 mm (0,028" - 0,032"). Si el espacio está muy amplio o muy estrecho, ajústelo. Si la bujía de encendido está congestionada o contaminada, límpiela bien o reemplácela.

PRECAUCIÓN: Nunca toque el conector de la bujía de encendido mientras el motor está corriendo (peligro de descarga eléctrica de alto voltaje).



ENGRASADO DE LA CAJA DE CAMBIOS

- Aplique grasa (Shell Alvania 2 o equivalente) al contenedor de grasa por el orificio de suministro cada 30 horas (la grasa original MAKITA puede adquirirse con su distribuidor de productos MAKITA).



LIMPIEZA DEL FILTRO DE COMBUSTIBLE

ADVERTENCIA: EL USO DE SUSTANCIAS O MATERIAL INFLAMABLE QUEDA ESTRICTAMENTE PROHIBIDO

Intervalo de limpieza e inspección: Mensual (cada 50 horas de operación)

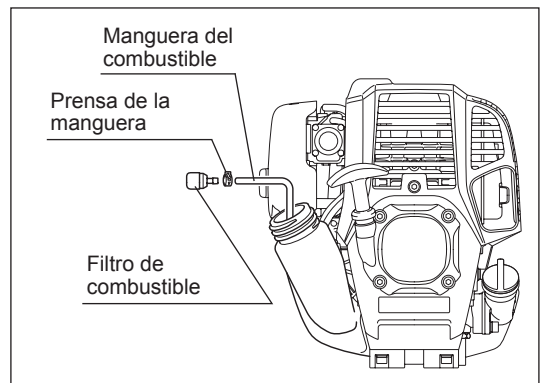
Cabeza de succión en el tanque de combustible

Reviste el filtro de combustible periódicamente. Para revisar el filtro de combustible, siga los pasos a continuación.

- (1) Retire la tapa del tanque de combustible, drene el combustible hasta vaciar el tanque. Revise el interior del tanque para ver si hay residuos o material ajeno. De haberlos, elimínelos.
- (2) Saque la cabeza de succión con un gancho de alambre a través de la abertura del tanque.
- (3) Si el filtro de combustible está ligeramente congestionado, límpielo. Para limpiarlo, agítelo y remójelo ligeramente en gasolina. Para evitar daños, no lo apretuje ni lo talle. La gasolina usada para la limpieza deberá desecharse de acuerdo con los métodos especificados por las normas regulatorias de su país. Cambie el filtro de combustible si éste se ha endurecido o si está demasiado congestionado.
- (4) Tras la revisión, limpieza o reemplazo, empuje el filtro de combustible completamente al fondo del tanque de combustible.

Un filtro de combustible congestionado o dañado puede causar un suministro de combustible insuficiente, reduciendo el poder del motor.

Reemplace el filtro de combustible al menos una vez cada tres meses para asegurar un suministro adecuado de combustible al carburador.



REEMPLAZO DE LA MANGUERA DEL COMBUSTIBLE

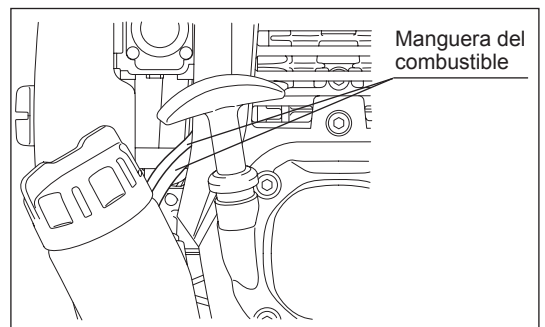
PRECAUCIÓN: EL USO DE SUSTANCIAS O MATERIAL INFLAMABLE QUEDA ESTRICTAMENTE PROHIBIDO

Intervalo de limpieza e inspección: Diario (cada 10 horas de operación)

Reemplazo: Anual (cada 200 horas de operación)

Reemplace la manguera del combustible cada año, independientemente de la frecuencia de uso. La fuga de combustible puede ocasionar incendios.

Si se detecta cualquier fuga durante la inspección, reemplace la manguera del combustible inmediatamente.



INSPECCIÓN DE PERNOS, TUERCAS Y TORNILLOS

- Reapriete los pernos, tuercas, etc.
- Compruebe que la tapa del tanque de combustible y la tapa del aceite estén bien apretadas. Revise si hay fugas de combustible o aceite.
- Reemplace las piezas dañadas con repuestos nuevos para una operación segura.

LIMPIEZA DE LAS PIEZAS

- Mantenga siempre el motor limpio.
- Mantenga las aspas del cilindro libres de polvo y mugre. El polvo o la mugre que se adhieren a las aspas causarán atascamiento al pistón.

REEMPLAZO DE SELLOS Y EMPAQUES

Al reensamblar el motor, asegúrese de reemplazar los sellos y empaques viejos con nuevos.

Cualquier servicio de mantenimiento o ajuste que no esté incluido o descrito en este manual sólo deberá realizarse por un Agente de Servicio Autorizado.

ALMACENAMIENTO

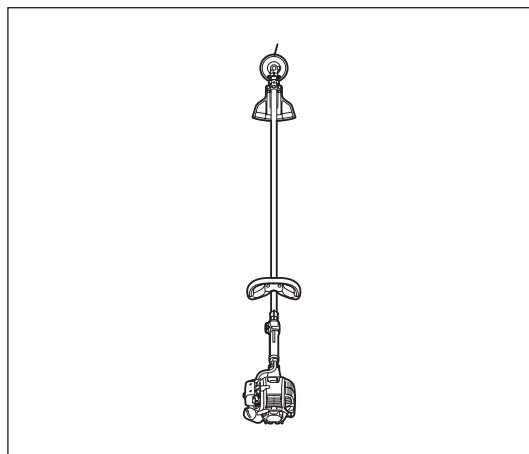


ADVERTENCIA: Al drenar el combustible, asegúrese de apagar el motor y cerciórese que éste se haya enfriado. Justo tras apagar el motor, puede que permanezca caliente con la posibilidad de causar quemaduras o que pueda ocasionar incendio a material inflamable.



ATENCIÓN: Cuando el equipo permanecerá sin usarse por un tiempo prolongado, drene todo el combustible del tanque y del carburador, y almacene en un lugar seco y limpio.

- Drene el combustible del tanque de combustible y carburador como se indica a continuación:
 - 1) Quite la tapa del tanque y drene el combustible por completo. Elimine por completo cualquier materia ajena que pueda quedar en el tanque de combustible.
 - 2) Saque con un alambre el filtro de combustible del puerto de reabastecimiento.
 - 3) Bombee el cebador hasta que el combustible se drene de ahí y drene el combustible hacia el tanque.
 - 4) Coloque el filtro en el tanque de combustible y apriete con firmeza la tapa del tanque de combustible.
 - 5) Luego, continúe dejando el motor corriendo hasta que éste se apague.
- Retire la bujía de encendido y escurra varias gotas de aceite de motor a través del orificio de la bujía de encendido.
- Jale suavemente el mango del arrancador de tal forma que el aceite se propague a través del motor y coloque la bujía de encendido.
- Coloque la cubierta para la cuchilla cortadora.
- Durante el almacenamiento, mantenga la barra en posición horizontal o almacene el equipo en posición recta con el borde de la cuchilla orientado hacia arriba (en este caso, tenga la completa precaución de evitar que el equipo se caiga). Nunca almacene el equipo con el borde de la cuchilla cortadora orientado hacia abajo. Puede que el aceite lubricante se derrame.
- Conserve el combustible drenado en un contenedor especial en un lugar bien ventilado sin exposición al sol.



Atención tras el almacenamiento de largo plazo

- Antes de arrancar el motor tras un prolongado tiempo de estar sin usarse, asegúrese de cambiar el aceite (consulte la P 64). El aceite tiende a deteriorarse cuando el equipo se deja sin usar.

Determinación de fallas

Falla	Sistema	Observación	Causa
El motor no arranca o arranca con dificultad	Sistema de encendido	Sí hay chispa de encendido	Falla en el suministro de combustible o sistema de compresión; problema mecánico
		No hay chispa de encendido	Operación del interruptor; falla en el cableado o corto circuito; defecto en la bujía de encendido o su enchufe; problema en el módulo de encendido
	Suministro de combustible	Tanque de combustible lleno	Posición incorrecta del dosificador; carburador defectuoso; línea de suministro de combustible doblada o bloqueada; combustible impuro
	Compresión	No hay compresión al dar el jalón	Empaque defectuoso en el fondo del cilindro; daños en el sellado del cigüeñal; cilindro o anillos de pistones defectuosos o sellado inadecuado de la bujía de encendido
Problemas al arrancar el motor ya calentado	Falla mecánica	Arrancador no embraga	Resorte del arrancador roto; piezas rotas dentro del motor
		Existencia de chispa de encendido con el tanque lleno	Carburador contaminado, límpielo
El motor arranca pero se apaga	Suministro de combustible	Tanque lleno	Ajuste incorrecto del estado pasivo; carburador contaminado Respiradero del tanque defectuoso; obstrucción de la línea de suministro de combustible; falla en el cable interruptor de encendido
Rendimiento deficiente	Puede que varios sistemas del equipo se vean afectados a la vez	Ineficiencia de estado pasivo del motor	Filtro de aire contaminado; carburador contaminado; congestión del mofle; congestión del conducto de escape en el cilindro

Artículo	Tiempo de operación								Acción correspondiente (P)
		Antes de la operación	Tras la lubricación	Diario (10h)	30h	50h	200h	Apagado / en reposo	
Aceite para motor	Inspeccionar	○							58
	Reemplazar					○*1			64
Apretar de piezas (perno, tuerca)	Inspeccionar	○							66
Tanque de combustible	Limpiar / inspeccionar	○							—
	Drenar combustible						○*3		67
Palanca de aceleración	Verificar funcionamiento		○						—
Interruptor	Verificar funcionamiento		○						62
Cuchilla cortadora	Inspeccionar	○		○					56
Rotación a baja velocidad	Inspeccionar / ajustar			○					62
Filtro de aire	Limpiar			○					65
Bujía de encendido	Inspeccionar			○					66
Conducto del aire de enfriamiento	Limpiar / inspeccionar			○					66
Manguera del combustible	Inspeccionar			○					66
	Reemplazar						◎*2		—
Grasa para la caja de cambios	Resuministrar				○				66
Filtro de combustible	Limpiar / reemplazar					○			66
Área despejada entre la válvula de ingreso del aire y válvula de escape del aire	Ajustar						◎*2		—
Reparación del motor							◎*2		—
Carburador	Drenar combustible							○*3	67

*1 Realice un reemplazo inicial tras 20 horas de operación.

*2 Para la inspección tras 200 horas de operación, acuda a un Agente de Servicio Autorizado o taller de servicios de mantenimiento.

*3 Tras vaciar el tanque de combustible, continúe dejando el motor corriendo y drene el combustible del carburador.

RESOLUCIÓN DE PROBLEMAS

Antes de hacer una solicitud de servicio de reparación, verifique usted primero el problema. Si se encuentra cualquier anomalía, controle el equipo según la descripción de este manual que se indica. Nunca altere o desarme ninguna pieza que no se indique en la descripción. Para servicios de reparación, póngase en contacto con un Agente de Servicio Autorizado o con su distribuidor local.

Estado de anomalía	Causa probable (falla)	Solución
El motor no arranca	Falla en la operación de la bomba cebadora	Bombée de 7 a 10 veces
	Poca fuerza al jalar el cordón del arrancador	Jale con fuerza
	Falta de combustible	Suministre combustible
	Filtro de combustible congestionado	Limpiar
	Manguera de combustible doblada	Reemplazar
	Combustible deteriorado	El combustible deteriorado dificulta que el equipo arranque. Reemplace con combustible nuevo (reemplazo recomendado: una vez al mes)
	Succión excesiva de combustible	Ajuste la palanca aceleradora de velocidad media a velocidad alta y jale el mango del arrancador hasta que el motor se encienda. Una vez que el motor arranque, la cuchilla cortadora comienza a girar. Este completamente atento de la cuchilla cortadora. Si el motor sigue sin arrancar, quite la bujía de encendido, seque el electrodo y vuelva a ensamblar como se encontraban originalmente. Luego arranque el equipo como se indica.
	Tapa de la bujía suelta	Fije con firmeza
	Bujía de encendido contaminada	Limpiar
	Irregularidad del área de despeje de la bujía de encendido	Ajuste el área de despeje
	Otra anomalía con la bujía de encendido	Reemplazar
	Anomalía con el carburador	Solicite un servicio de inspección y mantenimiento.
	La cuerda del arrancador no puede jalarse	Solicite un servicio de inspección y mantenimiento.
Irregularidad con el sistema de propulsión	Solicite un servicio de inspección y mantenimiento.	
El motor se apaga en poco tiempo La velocidad del motor no aumenta	Falta de calentamiento del motor	Realice la operación de calentamiento
	Palanca dosificadora está en "CERRADO" aunque el motor ya está caliente.	Ajuste a la posición en "ABIERTO"
	Filtro de combustible congestionado	Limpie o reemplace
	Filtro de aire contaminado o congestionado	Limpiar
	Anomalía con el carburador	Solicite un servicio de inspección y mantenimiento.
	Irregularidad con el sistema de propulsión	Solicite un servicio de inspección y mantenimiento.
La cuchilla cortadora no gira ↓ Apague el motor de inmediato	La tuerca de fijación de la cuchilla cortadora está suelta	Apriete con firmeza
	Ramas enganchadas en la cuchilla cortadora o en la cubierta de prevención de dispersión.	Retire los residuos y materia ajena
	Irregularidad con el sistema de propulsión	Solicite un servicio de inspección y mantenimiento.
La unidad principal vibra de forma anormal ↓ Apague el motor de inmediato	Rotura, doblez o desgaste de la cuchilla cortadora	Reemplace cuchilla cortadora
	La tuerca de fijación de la cuchilla cortadora está suelta	Apriete con firmeza
	La parte convexa de la cuchilla cortadora y el adaptador del soporte de la cuchilla se han movido.	Fije con firmeza
	Irregularidad con el sistema de propulsión	Solicite un servicio de inspección y mantenimiento.
La cuchilla cortadora no se detiene inmediatamente ↓ Apague el motor de inmediato	Rotación a alta velocidad en marcha sin carga	Ajustar
	Cable del acelerador suelto	Fije con firmeza
	Irregularidad con el sistema de propulsión	Solicite un servicio de inspección y mantenimiento.
El motor no se apaga ↓ Active el motor y que corra en estado pasivo y ajuste la palanca dosificadora a la posición CERRADA	Conector suelto	Fije con firmeza
	Irregularidad con el sistema eléctrico	Solicite un servicio de inspección y mantenimiento.

Cuando el equipo no arranca tras la operación de calentamiento:

Si no se detecta alguna anomalía en las piezas revisadas, abra el acelerador alrededor de 1/3 y arranque el motor.

<USA only>

WARNING

The engine exhaust from this product contains chemicals known to the State of California to cause cancer, birth defects or other reproductive harm.

<USA solamente>

ADVERTENCIA

Los gases de escape del motor de este producto contienen sustancias químicas conocidas en el Estado de California como causantes de cáncer, defectos genéticos y otros problemas relacionados con la reproducción.

Makita Corporation

3-11-8, Sumiyoshi-cho,
Anjo, Aichi 446-8502 Japan

www.makita.com

884951A875

ALA